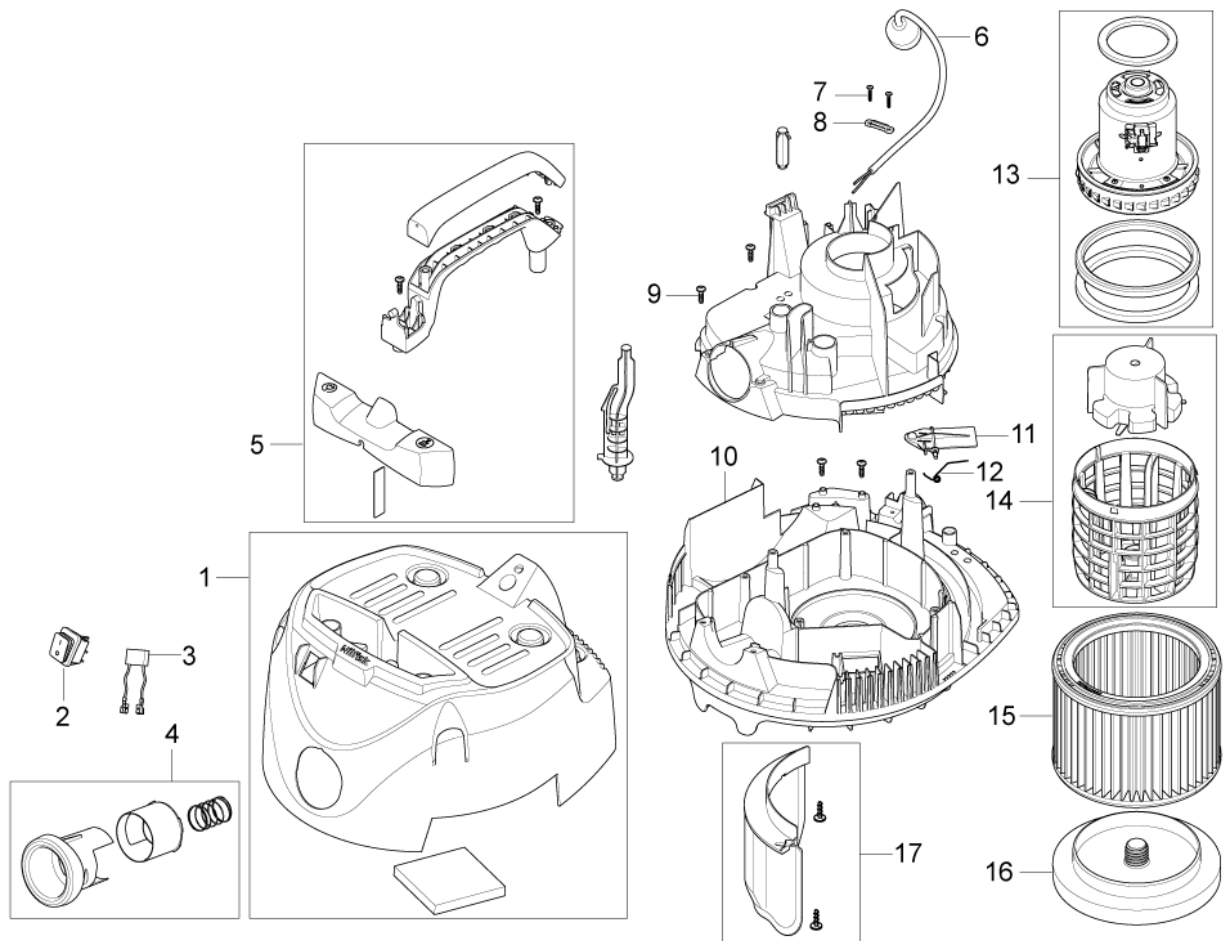


TABLE OF CONTENTS

Head PC 1400W	1
Head PC 1400W T	3
Head PC 1400W CR	5
Container L20	7
Container L20 INOX	9
Accessories	11
Head PC 1400W	13
Head PC 1400W T	15
Head PC 1400W CR	17
Container L20	19
Container L20 INOX	21
Accessories	23
Head PC 1400W	25
Head PC 1400W T	27
Head PC 1400W CR	29
Container L20	31
Container L20 INOX	33
Accessories	35
Head PC 1400W	37
Head PC 1400W T	39
Head PC 1400W CR	41
Container L20	43
Container L20 INOX	45
Accessories	47
Head PC 1400W	49
Head PC 1400W T	51
Head PC 1400W CR	53
Container L20	55
Container L20 INOX	57
Accessories	59
Head PC 1800W T	61
Head PC 1800W T XTRA	63
Container L30	65
Container L30 INOX	67
Accessories	69
Head PC 1800W T	71
Head PC 1800W T XTRA	73
Container L30	75
Container L30 INOX	77
Accessories	79
Head PC 1800W T	81
Head PC 1800W T XTRA	83
Container L30	85
Container L30 INOX	87

TABLE OF CONTENTS

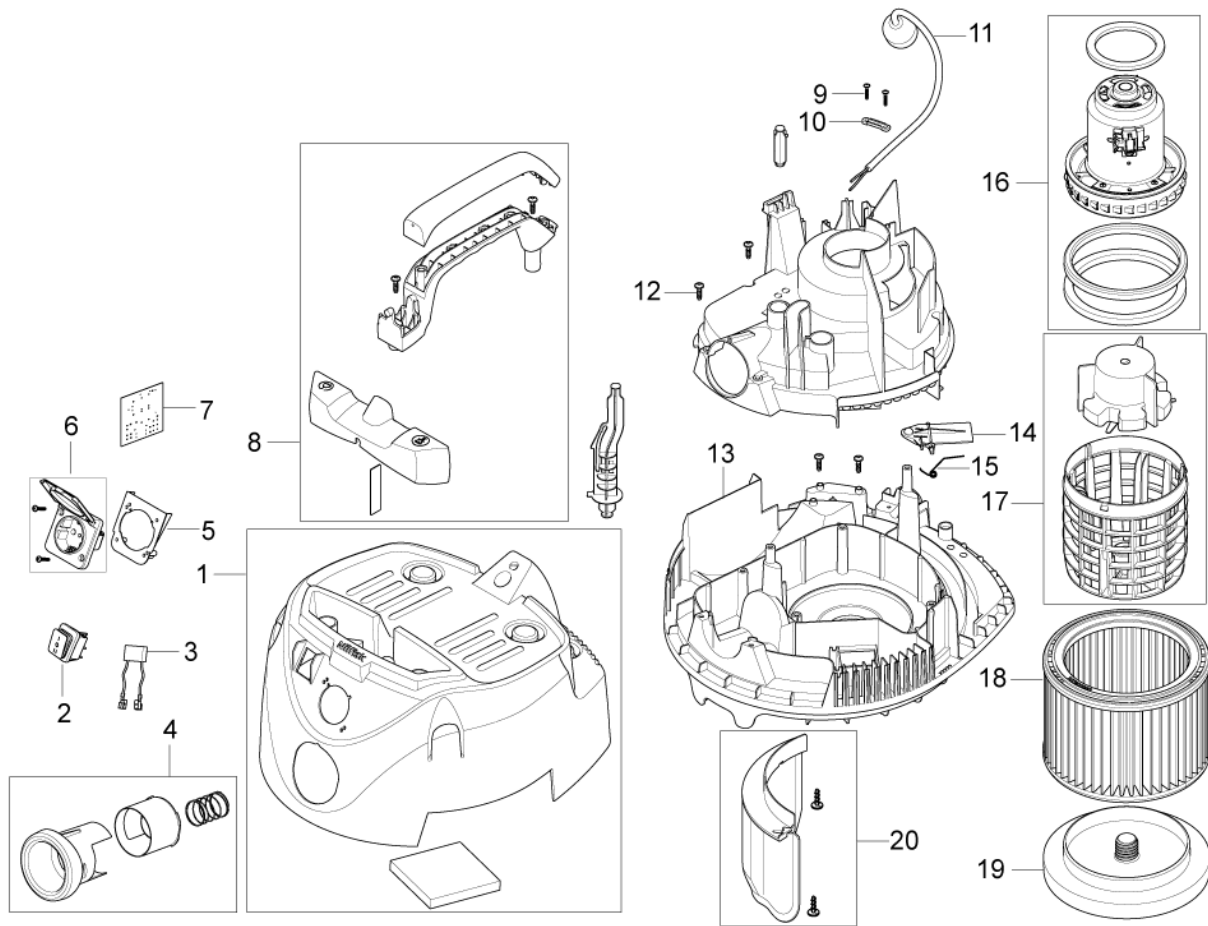
Accessories.....	89
Head PC 1800W T.....	91
Head PC 1800W T XTRA.....	93
Container L30.....	95
Container L30 INOX.....	97
Accessories.....	99



No.	Part No.	Qty.	Description	Part Note
00	107403729	1	BOX MULTI 20	
00	107403730	1	BOX MULTI 30	
1	107402764	1	COVER NILFISK- FC- KIT	
2	107404540	1	SWITCH 0-1 DOUBLE POLE SET	
3	48338	1	ANTI-INTERFERENCE CAPACITOR	
4	107402770	1	OUTLET-KIT	
5	107402769	1	HANDLE-KIT	
6	60902	1	POWER CORD H05VV-F 2X0.75X5.7A	[1]
6	60282	1	POWER CORD H07BQ-F 2X1.5 SQUAR	[2]
6	60903	1	POWERCORD H05VV-F 2X0.75X5.M S	[3]
6	60865	1	CABLE H05VV-F 2 X 0.75 X 5.0 C	[4]
7	302004032	2	SCREW PT35X18	
8	302004030	1	STRAP FOR CABLE	
9	302004029	18	SCREW PT50X18	
10	107402768	1	MOUNTINGPLATE-KIT	
11	107409129	1	PC FLAP - KIT	
12	909100083	1	TORSION SPRING D0.9X18X45 INOX	
13	107406173	1	MOTOR KIT 1400W	
14	302002427	1	FILTER SUPPORT CAGE WITH FLOAT	
15	107402338	1	WET AND DRY FILTER MULTI	
16	302002042	1	FILTER TENSION DISC D184X45	
17	107407705	1	DEFLECTOR PLATE KIT	

Part Notes:

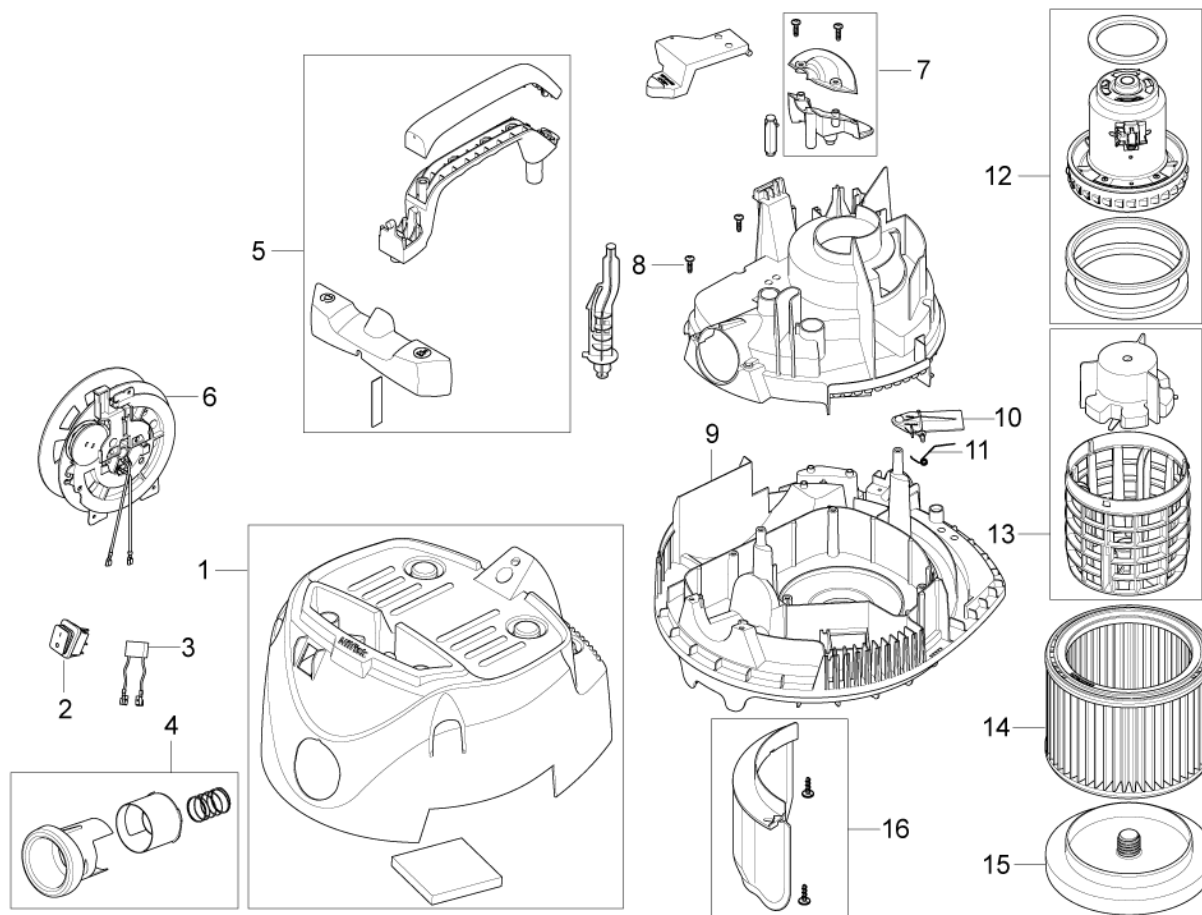
- [1] - AU, NZ
- [2] - UK
- [3] - ZA
- [4] - EU
STOCK COVERS GUARANTEE



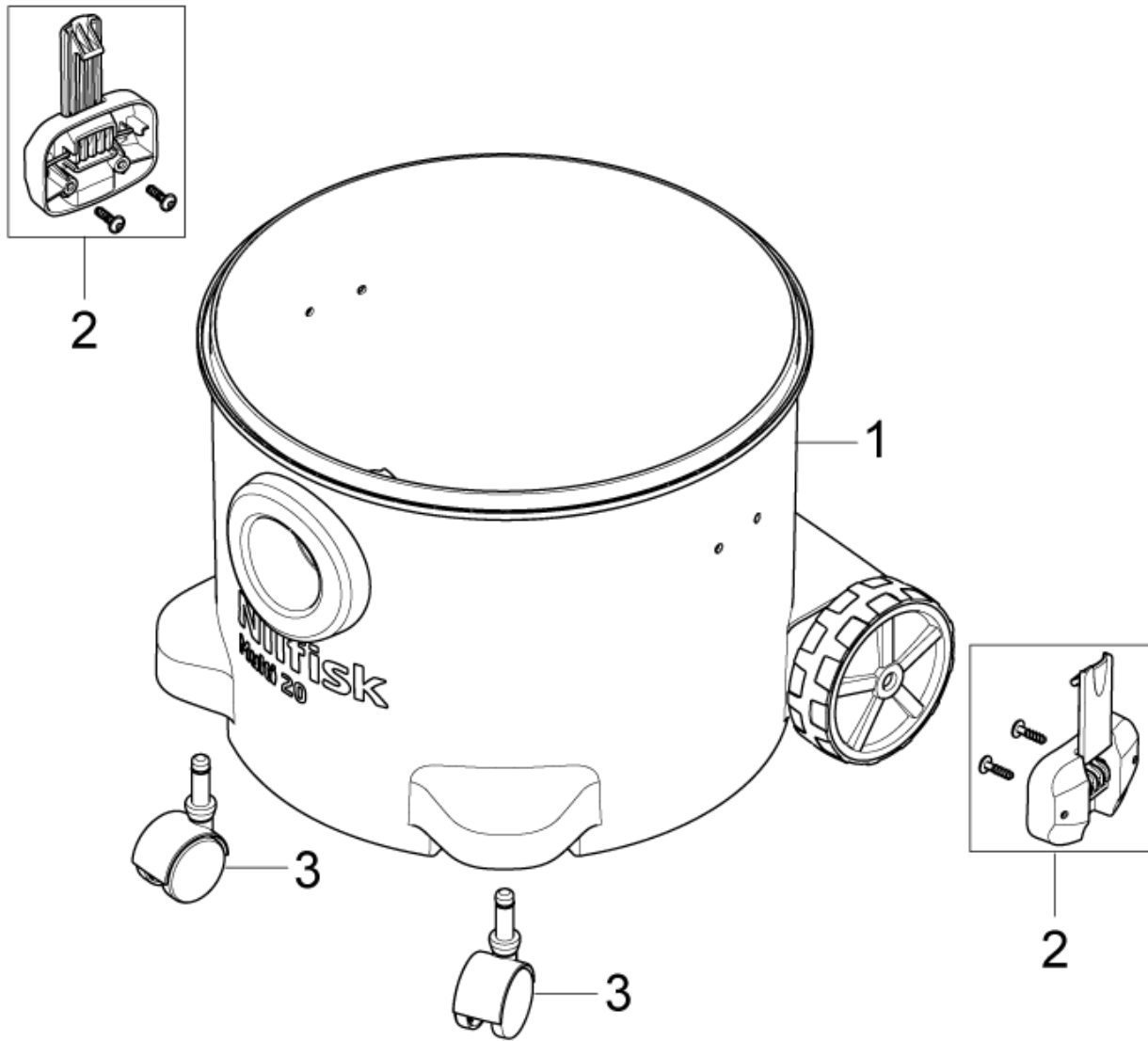
No.	Part No.	Qty.	Description	Part Note
01	107402766	1	COVER FC FOR SOCKET -KIT	
02	107404541	1	SWITCH 1-0-2 DOUBLE POLE SET	
03	48338	1	ANTI-INTERFERENCE CAPACITOR	
04	107402770	1	OUTLET-KIT	
05	302002052	1	PLUG SOCKET PLATE	
06	302004034	1	SOCKET 16A/250V EU	
07	107401443	1	PCB 220-240V NO SR	
08	107402769	1	HANDLE-KIT	
09	302004032	1	SCREW PT35X18	
10	302004030	2	STRAP FOR CABLE	
11	61129	1	POWER CORD H05VV-F3G1.5X5	[1]
11	61130	1	POWERCORD H05VV-F 3G1.5X5.7M C	[2]
12	302004029	18	SCREW PT50X18	
13	107402768	1	MOUNTINGPLATE-KIT	
14	107409129	1	PC FLAP - KIT	
15	909100083	1	TORSION SPRING D0.9X18X45 INOX	
16	107406173	1	MOTOR KIT 1400W	
17	302002427	1	FILTER SUPPORT CAGE WITH FLOAT	
18	107402338	1	WET AND DRY FILTER MULTI	
19	302002042	1	FILTER TENSION DISC D184X45	
20	107407705	1	DEFLECTOR PLATE KIT	

Part Notes:

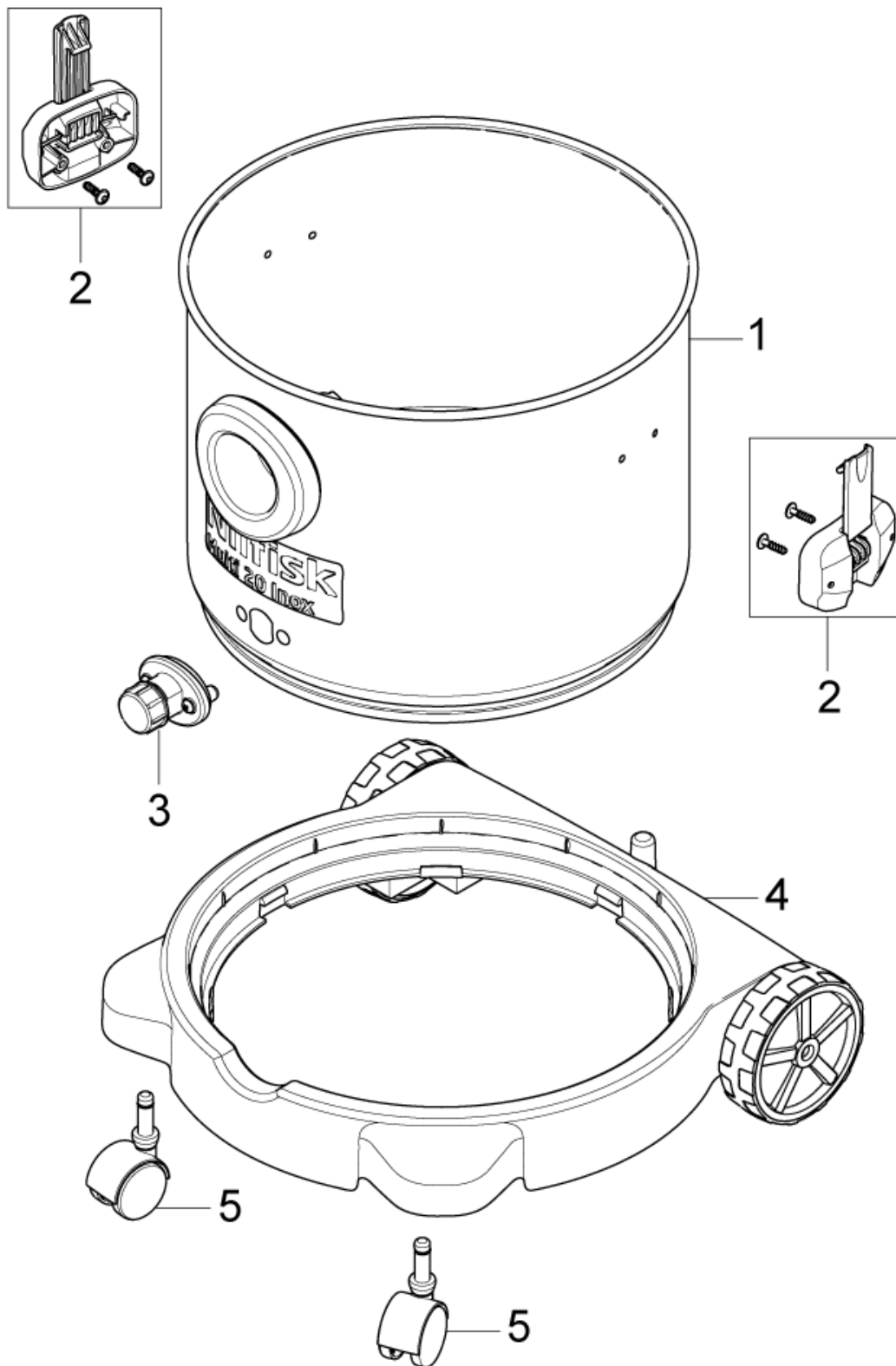
- [1] - UK
 [2] - EU



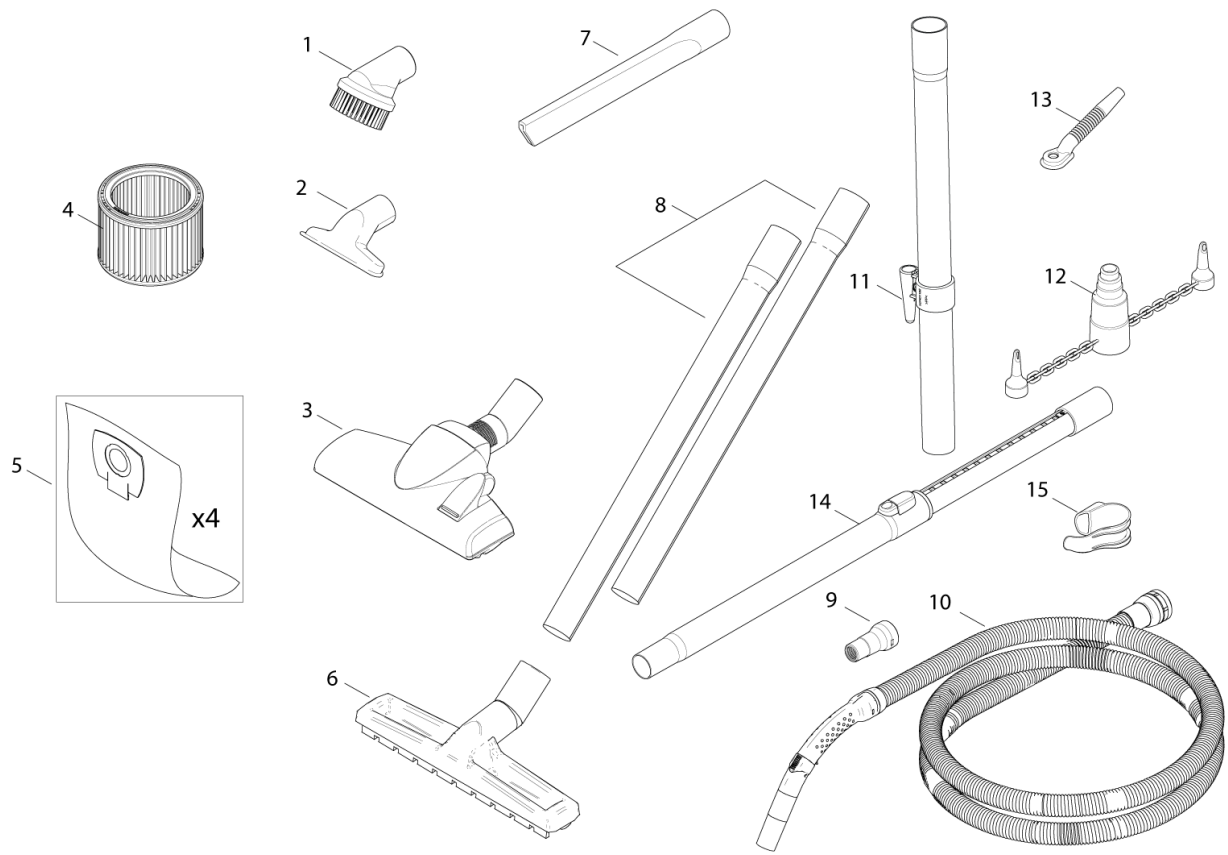
No.	Part No.	Qty.	Description	Part Note
01	107402765	1	COVER NILFISK- CR- KIT	
02	107404540	1	SWITCH 0-1 DOUBLE POLE SET	
03	48338	1	ANTI-INTERFERENCE CAPACITOR	
04	107402770	1	OUTLET-KIT	
05	107402769	1	HANDLE-KIT	
06	107402818	1	CABLE REWINDING FOR 2 WIRE UK	
06	107401436	1	CABLE REWIND 2-POLE EU	
07	107402772	1	CABLE REWIND -KIT	
08	302004029	18	SCREW PT50X18	
09	107402768	1	MOUNTINGPLATE-KIT	
10	107409129	1	PC FLAP - KIT	
11	909100083	1	TORSION SPRING D0.9X18X45 INOX	
12	107406173	1	MOTOR KIT 1400W	
13	302002427	1	FILTER SUPPORT CAGE WITH FLOAT	
14	107402338	1	WET AND DRY FILTER MULTI	
15	302002042	1	FILTER TENSION DISC D184X45	
16	107407705	1	DEFLECTOR PLATE KIT	



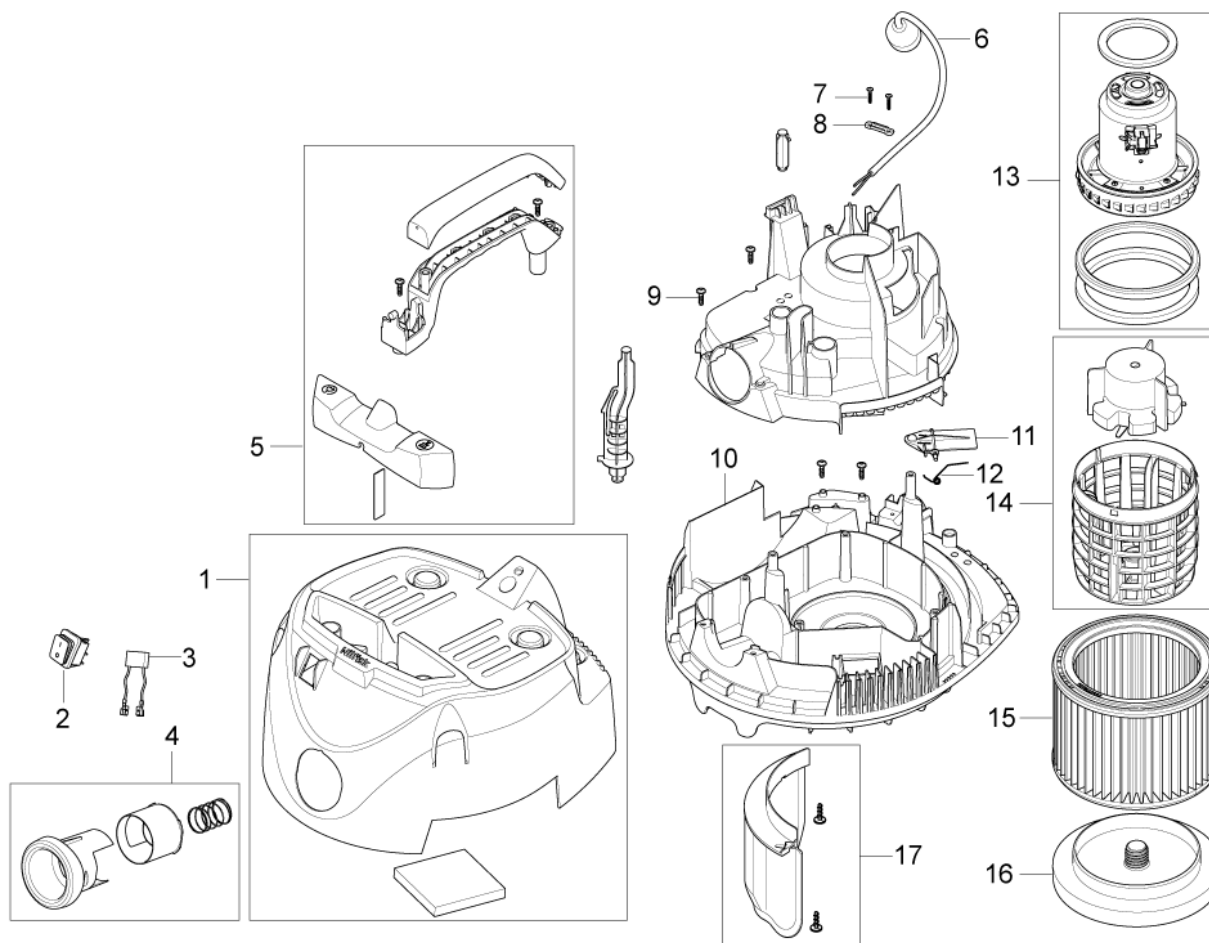
No.	Part No.	Qty.	Description	Part Note
01	107402775	1	CONTAINER 20L -KIT	
02	107402779	2	CLAMP -KIT	
03	107402777	1	CASTOR -KIT	



No.	Part No.	Qty.	Description	Part Note
01	107402780	1	CONTAINER 20L INOX -KIT	
02	107402779	2	CLAMP -KIT	
03	107401456	1	DRAINVALVE KIT	
04	107402778	1	CONTAINER RING WITH WHEEL -KIT	
05	107402777	2	CASTOR -KIT	



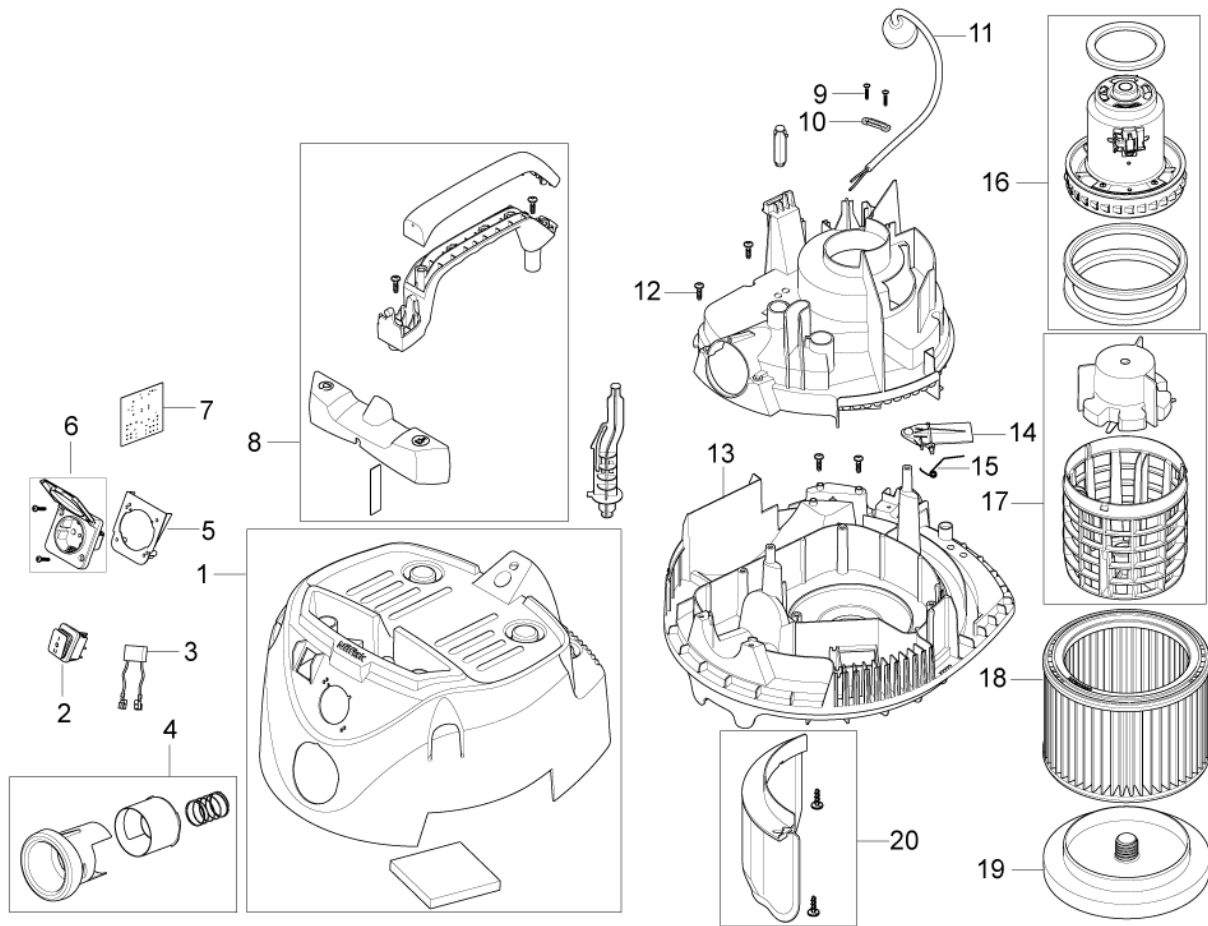
No.	Part No.	Qty.	Description	Part Note
01	302002509	1	SUCTION BRUSH D36 BLACK	
02	14295	1	UNIVERSAL NOZZLE D36X115	
03	302002365	1	COMBI NOZZLE Ø36X260MM	
04	107402338	1	WET AND DRY FILTER MULTI	
05	107402336	1	DUST BAG 4 PCS MULTI	
06	107402706	1	FLOOR NOZZLE D36x300MM W/D KIT	
07	29541	1	CREVICE NOZZLE D36X200	
08	107400032	1	EXTENSION TUBE D36 2X500MM ALU	
08	40696	1	EXTENSION TUBE D36 2X515MM PLASTIC	
09	302002356	1	TOOL ADAPTER	
10	107405600	1	SUCTION HOSE D32x1900 CPL.	
10	107405599	1	SUCTION HOSE D32X2500 CPL.	
10	107406115	1	SUCTION HOSE D32X3500 CPL.	
11	107402773	1	TUBE HOLDER TELESCOPIC -KIT	
11	107402774	1	TUBE HOLDER AL/PLASTIC -KIT	
12	107402483	1	BLOW NOZZLE KIT	
13	107402478	1	WALL DRILL KIT	
14	107402705	1	TELESCOPIC TUBE PLAST.-KIT	
15	107402799	1	HOOK -KIT	



No.	Part No.	Qty.	Description	Part Note
00	107403729	1	BOX MULTI 20	
00	107403730	1	BOX MULTI 30	
1	107402764	1	COVER NILFISK- FC- KIT	
2	107404540	1	SWITCH 0-1 DOUBLE POLE SET	
3	48338	1	ANTI-INTERFERENCE CAPACITOR	
4	107402770	1	OUTLET-KIT	
5	107402769	1	HANDLE-KIT	
6	60902	1	POWER CORD H05VV-F 2X0.75X5.7A	[1]
6	60282	1	POWER CORD H07BQ-F 2X1.5 SQUAR	[2]
6	60903	1	POWERCORD H05VV-F 2X0.75X5.M S	[3]
6	60865	1	CABLE H05VV-F 2 X 0.75 X 5.0 C	[4]
7	302004032	2	SCREW PT35X18	
8	302004030	1	STRAP FOR CABLE	
9	302004029	18	SCREW PT50X18	
10	107402768	1	MOUNTINGPLATE-KIT	
11	107409129	1	PC FLAP - KIT	
12	909100083	1	TORSION SPRING D0.9X18X45 INOX	
13	107406173	1	MOTOR KIT 1400W	
14	302002427	1	FILTER SUPPORT CAGE WITH FLOAT	
15	107402338	1	WET AND DRY FILTER MULTI	
16	302002042	1	FILTER TENSION DISC D184X45	
17	107407705	1	DEFLECTOR PLATE KIT	

Part Notes:

- [1] - AU, NZ
- [2] - UK
- [3] - ZA
- [4] - EU
STOCK COVERS GUARANTEE

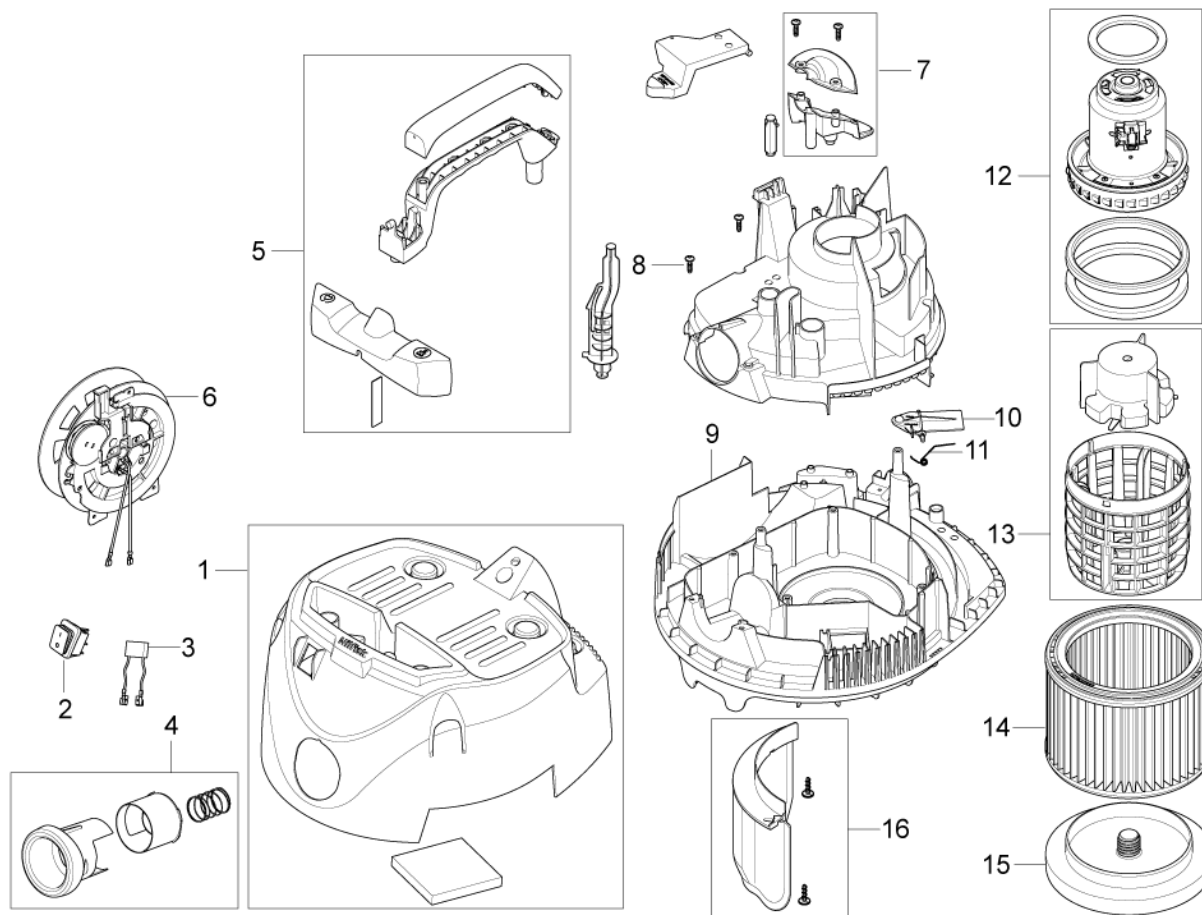


No.	Part No.	Qty.	Description	Part Note
01	107402766	1	COVER FC FOR SOCKET -KIT	
02	107404541	1	SWITCH 1-0-2 DOUBLE POLE SET	
03	48338	1	ANTI-INTERFERENCE CAPACITOR	
04	107402770	1	OUTLET-KIT	
05	302002052	1	PLUG SOCKET PLATE	
06	302004034	1	SOCKET 16A/250V EU	
07	107401443	1	PCB 220-240V NO SR	
08	107402769	1	HANDLE-KIT	
09	302004032	1	SCREW PT35X18	
10	302004030	2	STRAP FOR CABLE	
11	61129	1	POWER CORD H05VV-F3G1.5X5	[1]
11	61130	1	POWERCORD H05VV-F 3G1.5X5.7M C	[2]
12	302004029	18	SCREW PT50X18	
13	107402768	1	MOUNTINGPLATE-KIT	
14	107409129	1	PC FLAP - KIT	
15	909100083	1	TORSION SPRING D0.9X18X45 INOX	
16	107406173	1	MOTOR KIT 1400W	
17	302002427	1	FILTER SUPPORT CAGE WITH FLOAT	
18	107402338	1	WET AND DRY FILTER MULTI	
19	302002042	1	FILTER TENSION DISC D184X45	
20	107407705	1	DEFLECTOR PLATE KIT	

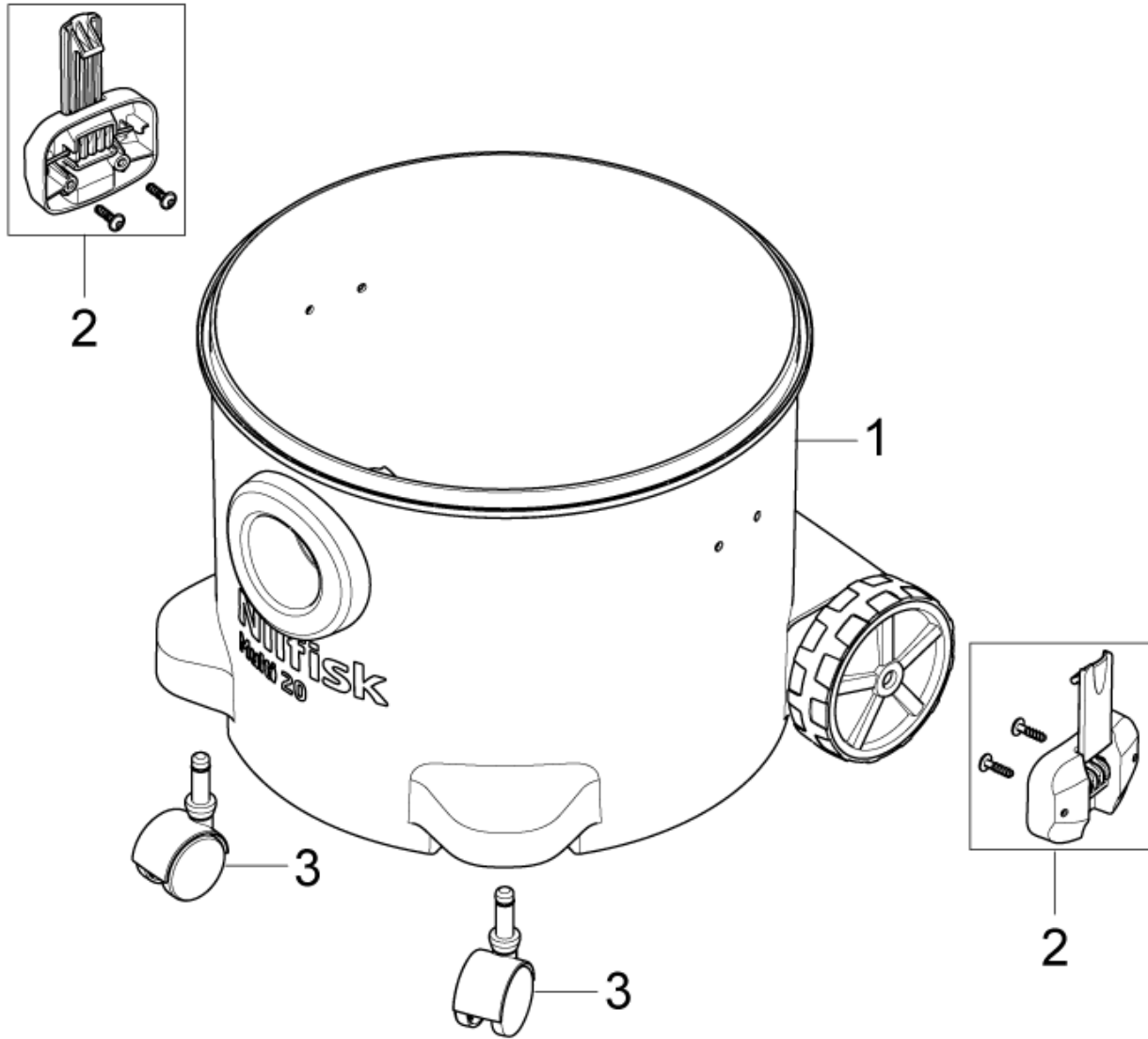
Part Notes:

[1] - UK

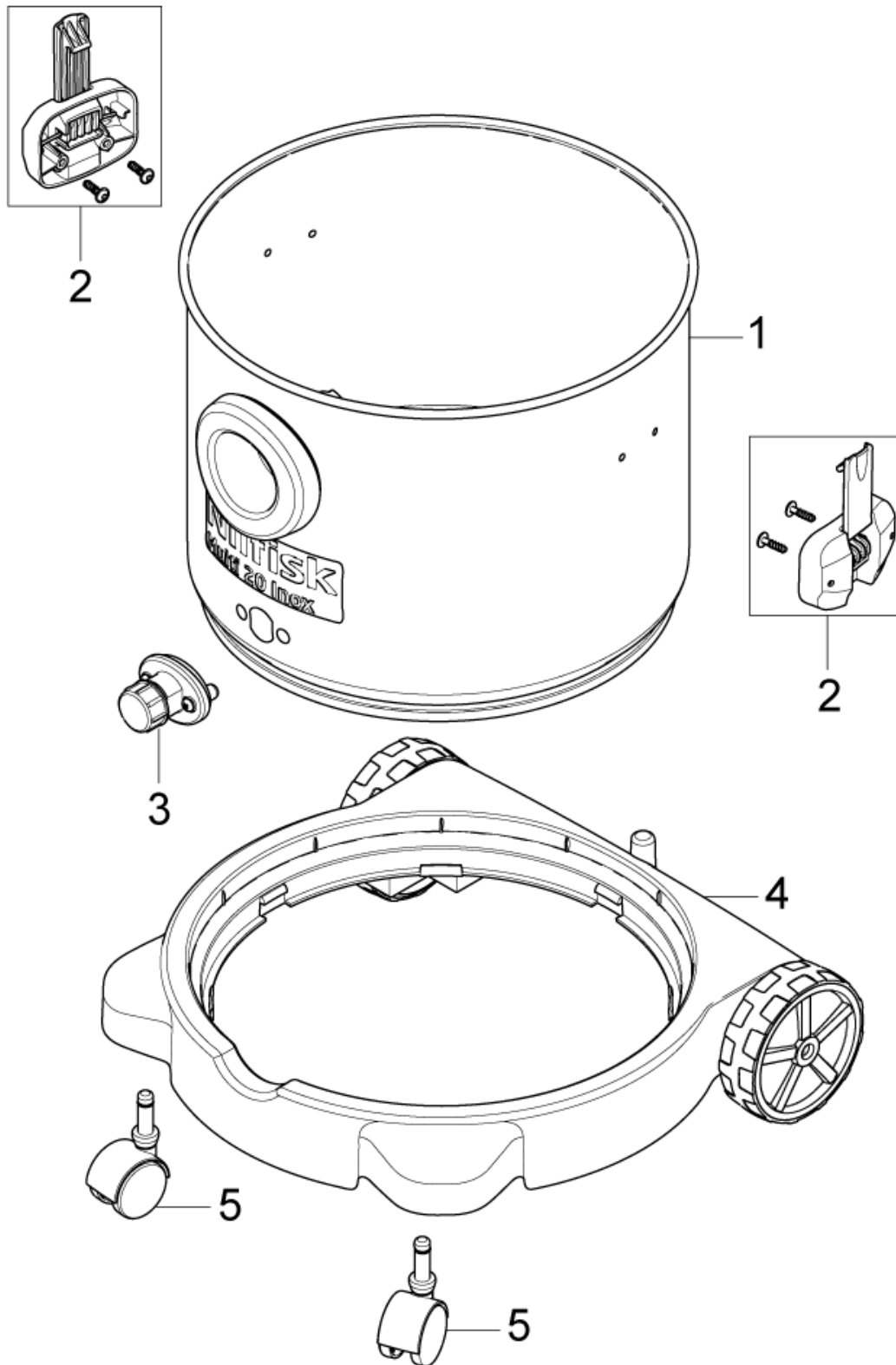
[2] - EU



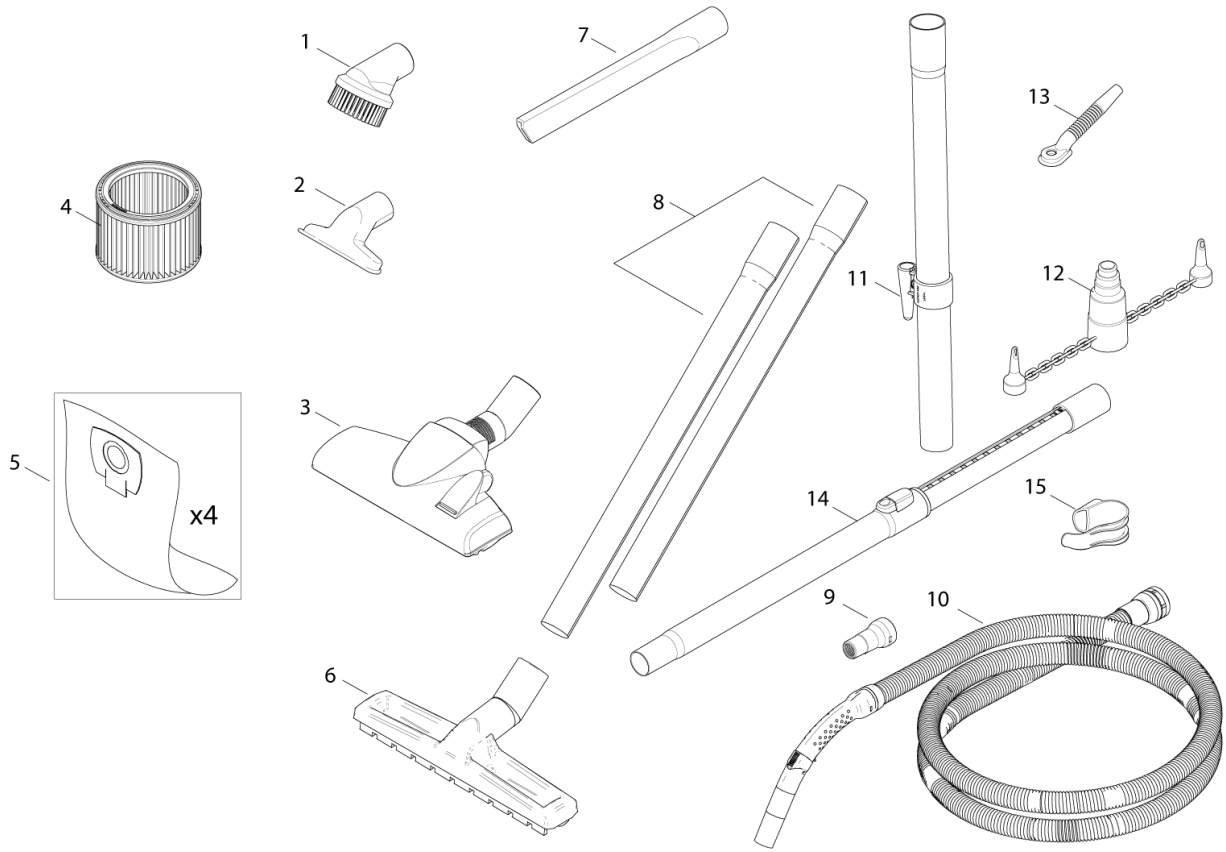
No.	Part No.	Qty.	Description	Part Note
01	107402765	1	COVER NILFISK- CR- KIT	
02	107404540	1	SWITCH 0-1 DOUBLE POLE SET	
03	48338	1	ANTI-INTERFERENCE CAPACITOR	
04	107402770	1	OUTLET-KIT	
05	107402769	1	HANDLE-KIT	
06	107402818	1	CABLE REWINDING FOR 2 WIRE UK	
06	107401436	1	CABLE REWIND 2-POLE EU	
07	107402772	1	CABLE REWIND -KIT	
08	302004029	18	SCREW PT50X18	
09	107402768	1	MOUNTINGPLATE-KIT	
10	107409129	1	PC FLAP - KIT	
11	909100083	1	TORSION SPRING D0.9X18X45 INOX	
12	107406173	1	MOTOR KIT 1400W	
13	302002427	1	FILTER SUPPORT CAGE WITH FLOAT	
14	107402338	1	WET AND DRY FILTER MULTI	
15	302002042	1	FILTER TENSION DISC D184X45	
16	107407705	1	DEFLECTOR PLATE KIT	



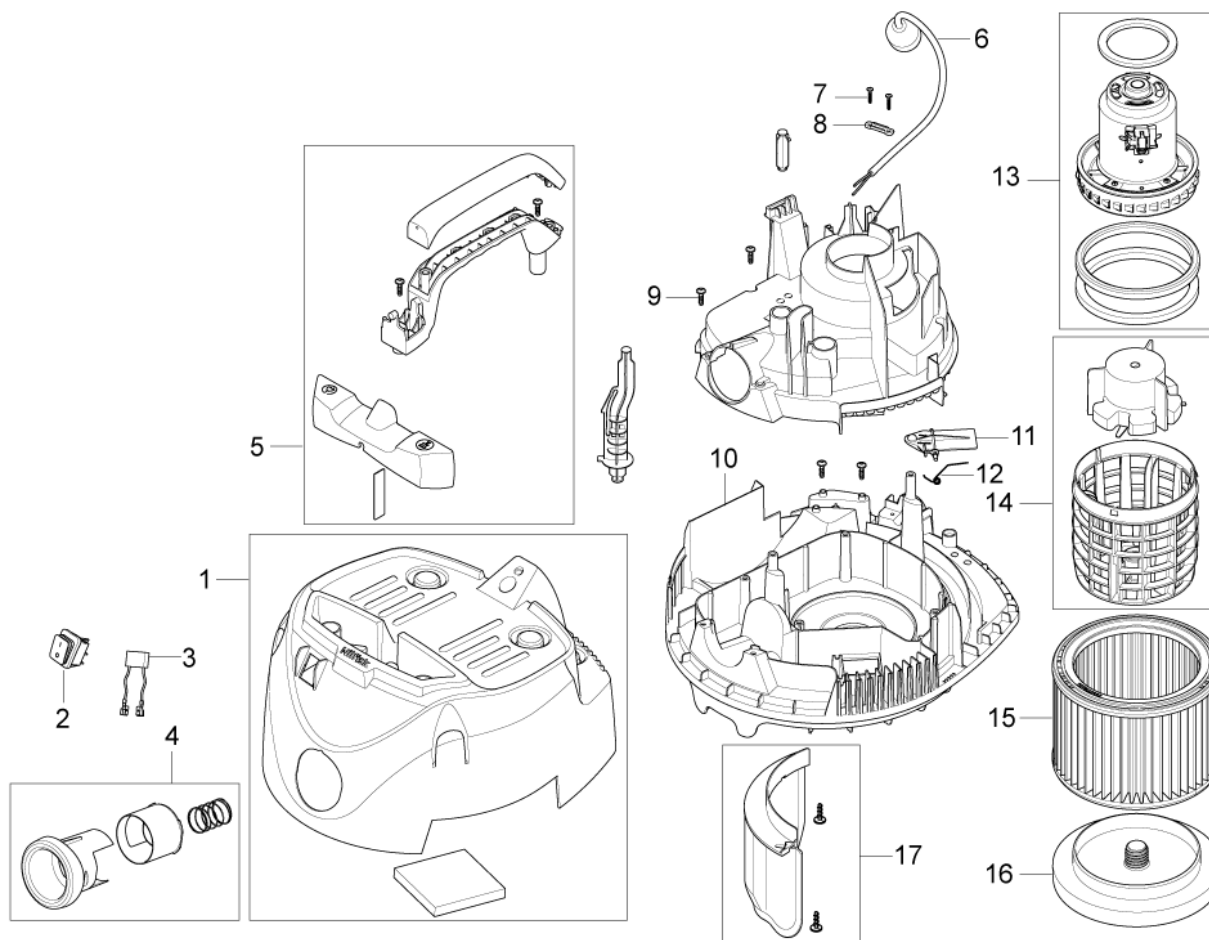
No.	Part No.	Qty.	Description	Part Note
01	107402775	1	CONTAINER 20L -KIT	
02	107402779	2	CLAMP -KIT	
03	107402777	1	CASTOR -KIT	



No.	Part No.	Qty.	Description	Part Note
01	107402780	1	CONTAINER 20L INOX -KIT	
02	107402779	2	CLAMP -KIT	
03	107401456	1	DRAINVALVE KIT	
04	107402778	1	CONTAINER RING WITH WHEEL -KIT	
05	107402777	2	CASTOR -KIT	



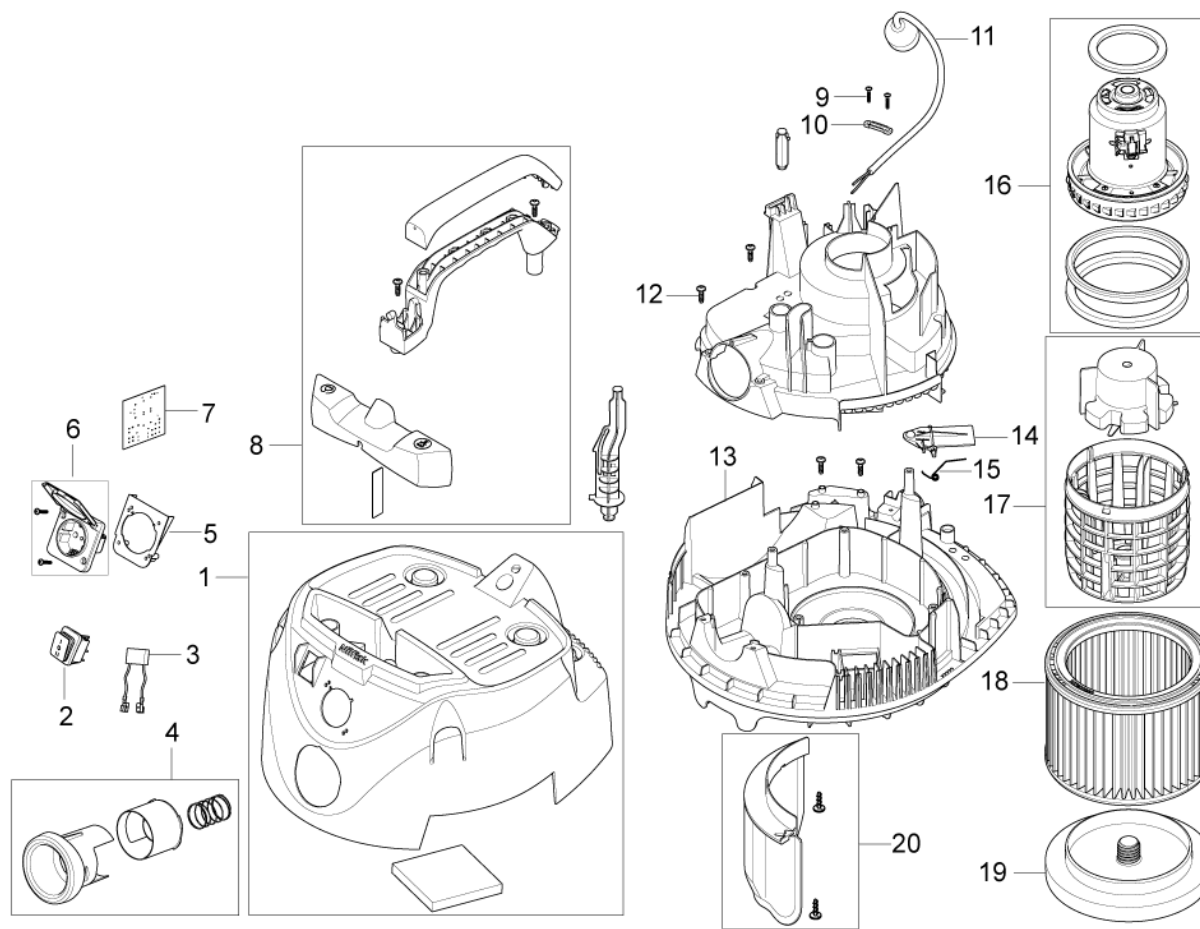
No.	Part No.	Qty.	Description	Part Note
01	302002509	1	SUCTION BRUSH D36 BLACK	
02	14295	1	UNIVERSAL NOZZLE D36X115	
03	302002365	1	COMBI NOZZLE Ø36X260MM	
04	107402338	1	WET AND DRY FILTER MULTI	
05	107402336	1	DUST BAG 4 PCS MULTI	
06	107402706	1	FLOOR NOZZLE D36x300MM W/D KIT	
07	29541	1	CREVICE NOZZLE D36X200	
08	107400032	1	EXTENSION TUBE D36 2X500MM ALU	
08	40696	1	EXTENSION TUBE D36 2X515MM PLASTIC	
09	302002356	1	TOOL ADAPTER	
10	107405600	1	SUCTION HOSE D32x1900 CPL.	
10	107405599	1	SUCTION HOSE D32X2500 CPL.	
10	107406115	1	SUCTION HOSE D32X3500 CPL.	
11	107402773	1	TUBE HOLDER TELESCOPIC -KIT	
11	107402774	1	TUBE HOLDER AL/PLASTIC -KIT	
12	107402483	1	BLOW NOZZLE KIT	
13	107402478	1	WALL DRILL KIT	
14	107402705	1	TELESCOPIC TUBE PLAST.-KIT	
15	107402799	1	HOOK -KIT	



No.	Part No.	Qty.	Description	Part Note
00	107403729	1	BOX MULTI 20	
00	107403730	1	BOX MULTI 30	
1	107402764	1	COVER NILFISK- FC- KIT	
2	107404540	1	SWITCH 0-1 DOUBLE POLE SET	
3	48338	1	ANTI-INTERFERENCE CAPACITOR	
4	107402770	1	OUTLET-KIT	
5	107402769	1	HANDLE-KIT	
6	60902	1	POWER CORD H05VV-F 2X0.75X5.7A	[1]
6	60282	1	POWER CORD H07BQ-F 2X1.5 SQUAR	[2]
6	60903	1	POWERCORD H05VV-F 2X0.75X5.M S	[3]
6	60865	1	CABLE H05VV-F 2 X 0.75 X 5.0 C	[4]
7	302004032	2	SCREW PT35X18	
8	302004030	1	STRAP FOR CABLE	
9	302004029	18	SCREW PT50X18	
10	107402768	1	MOUNTINGPLATE-KIT	
11	107409129	1	PC FLAP - KIT	
12	909100083	1	TORSION SPRING D0.9X18X45 INOX	
13	107406173	1	MOTOR KIT 1400W	
14	302002427	1	FILTER SUPPORT CAGE WITH FLOAT	
15	107402338	1	WET AND DRY FILTER MULTI	
16	302002042	1	FILTER TENSION DISC D184X45	
17	107407705	1	DEFLECTOR PLATE KIT	

Part Notes:

- [1] - AU, NZ
- [2] - UK
- [3] - ZA
- [4] - EU
STOCK COVERS GUARANTEE

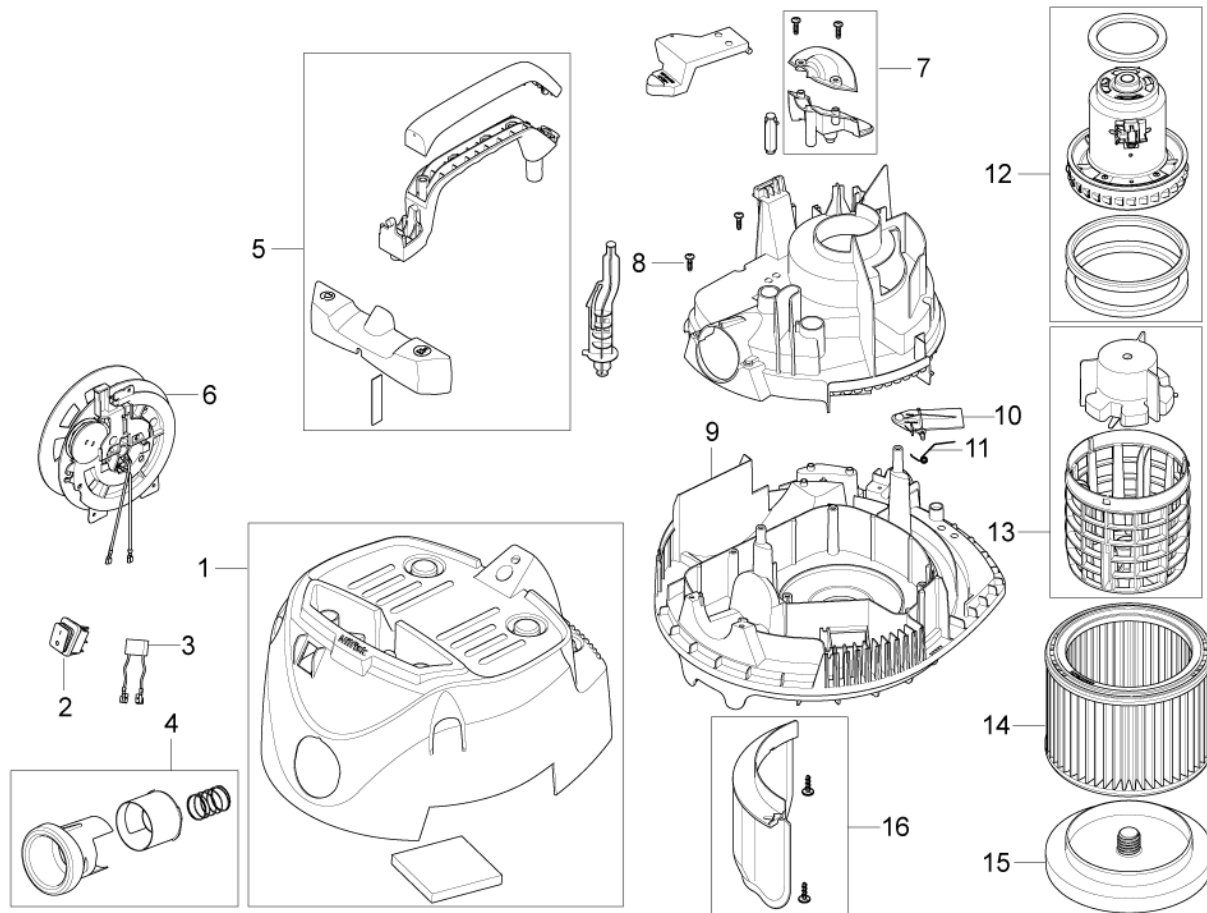


No.	Part No.	Qty.	Description	Part Note
01	107402766	1	COVER FC FOR SOCKET -KIT	
02	107404541	1	SWITCH 1-0-2 DOUBLE POLE SET	
03	48338	1	ANTI-INTERFERENCE CAPACITOR	
04	107402770	1	OUTLET-KIT	
05	302002052	1	PLUG SOCKET PLATE	
06	302004034	1	SOCKET 16A/250V EU	
07	107401443	1	PCB 220-240V NO SR	
08	107402769	1	HANDLE-KIT	
09	302004032	1	SCREW PT35X18	
10	302004030	2	STRAP FOR CABLE	
11	61129	1	POWER CORD H05VV-F3G1.5X5	[1]
11	61130	1	POWERCORD H05VV-F 3G1.5X5.7M C	[2]
12	302004029	18	SCREW PT50X18	
13	107402768	1	MOUNTINGPLATE-KIT	
14	107409129	1	PC FLAP - KIT	
15	909100083	1	TORSION SPRING D0.9X18X45 INOX	
16	107406173	1	MOTOR KIT 1400W	
17	302002427	1	FILTER SUPPORT CAGE WITH FLOAT	
18	107402338	1	WET AND DRY FILTER MULTI	
19	302002042	1	FILTER TENSION DISC D184X45	
20	107407705	1	DEFLECTOR PLATE KIT	

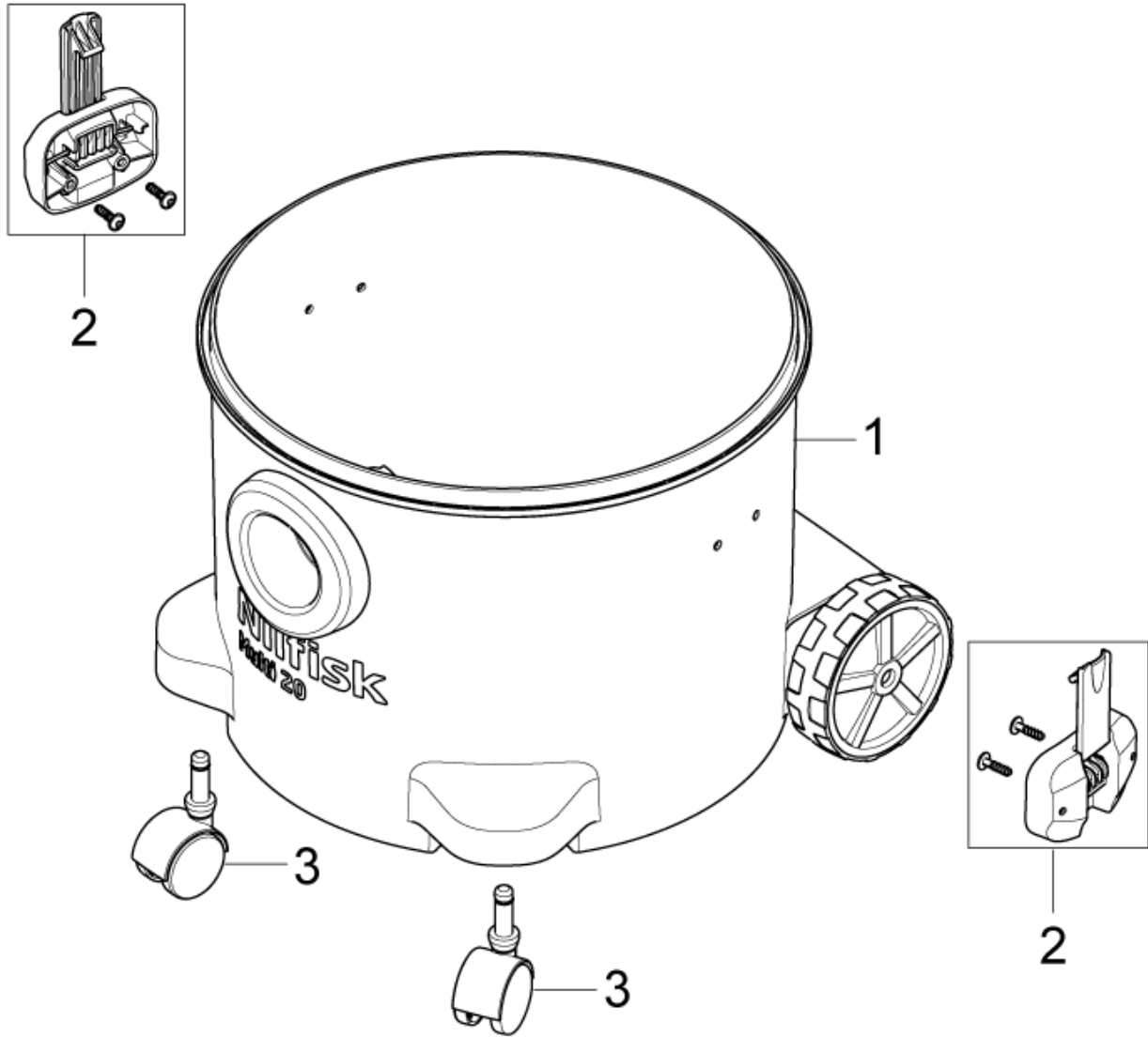
Part Notes:

[1] - UK

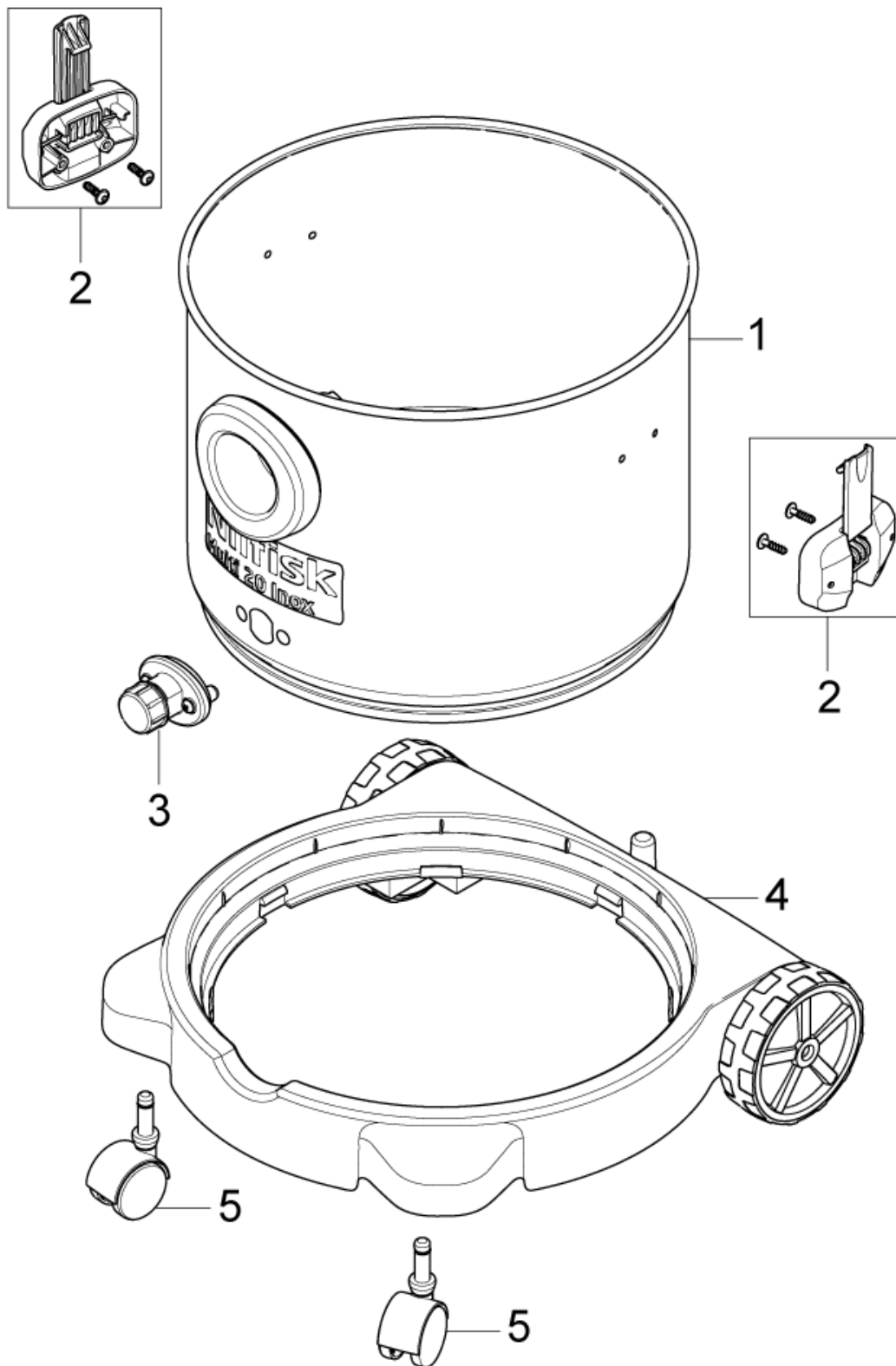
[2] - EU



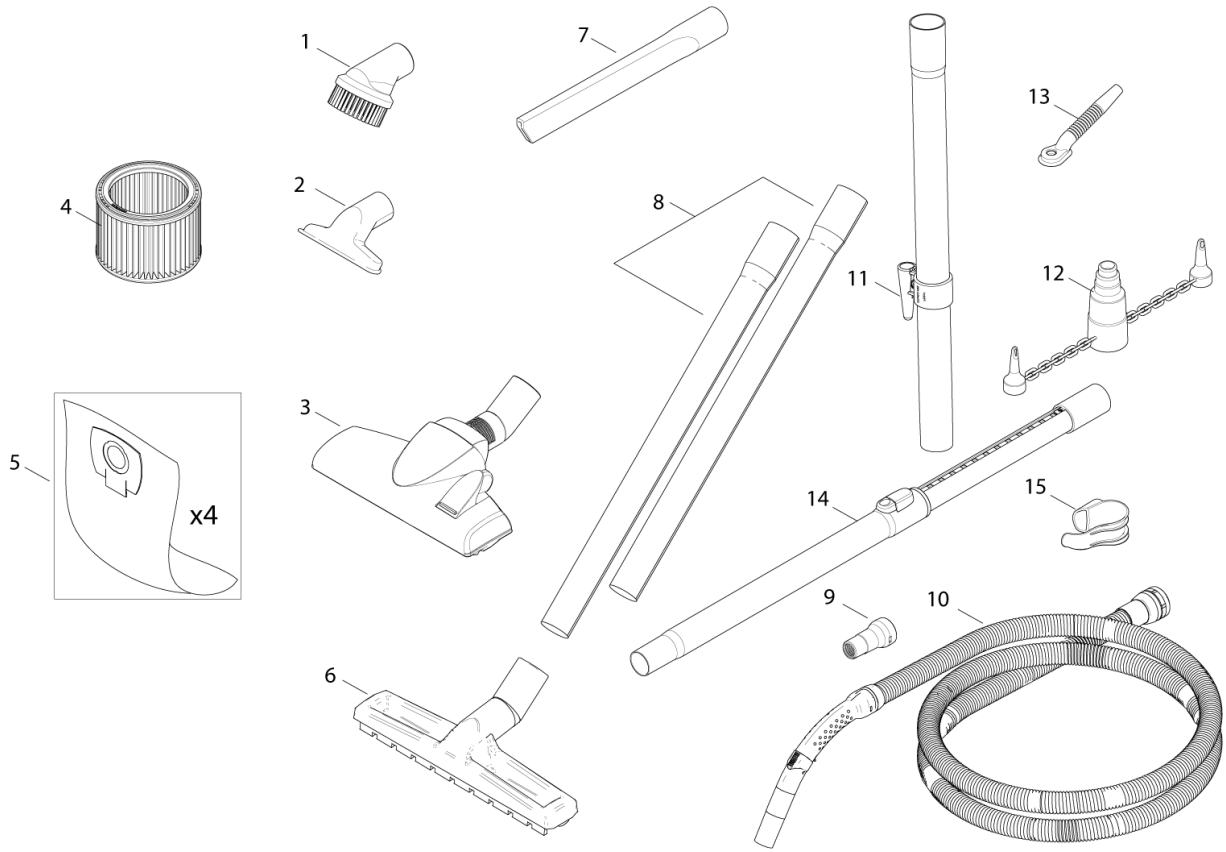
No.	Part No.	Qty.	Description	Part Note
01	107402765	1	COVER NILFISK- CR- KIT	
02	107404540	1	SWITCH 0-1 DOUBLE POLE SET	
03	48338	1	ANTI-INTERFERENCE CAPACITOR	
04	107402770	1	OUTLET-KIT	
05	107402769	1	HANDLE-KIT	
06	107402818	1	CABLE REWINDING FOR 2 WIRE UK	
06	107401436	1	CABLE REWIND 2-POLE EU	
07	107402772	1	CABLE REWIND -KIT	
08	302004029	18	SCREW PT50X18	
09	107402768	1	MOUNTINGPLATE-KIT	
10	107409129	1	PC FLAP - KIT	
11	909100083	1	TORSION SPRING D0.9X18X45 INOX	
12	107406173	1	MOTOR KIT 1400W	
13	302002427	1	FILTER SUPPORT CAGE WITH FLOAT	
14	107402338	1	WET AND DRY FILTER MULTI	
15	302002042	1	FILTER TENSION DISC D184X45	
16	107407705	1	DEFLECTOR PLATE KIT	



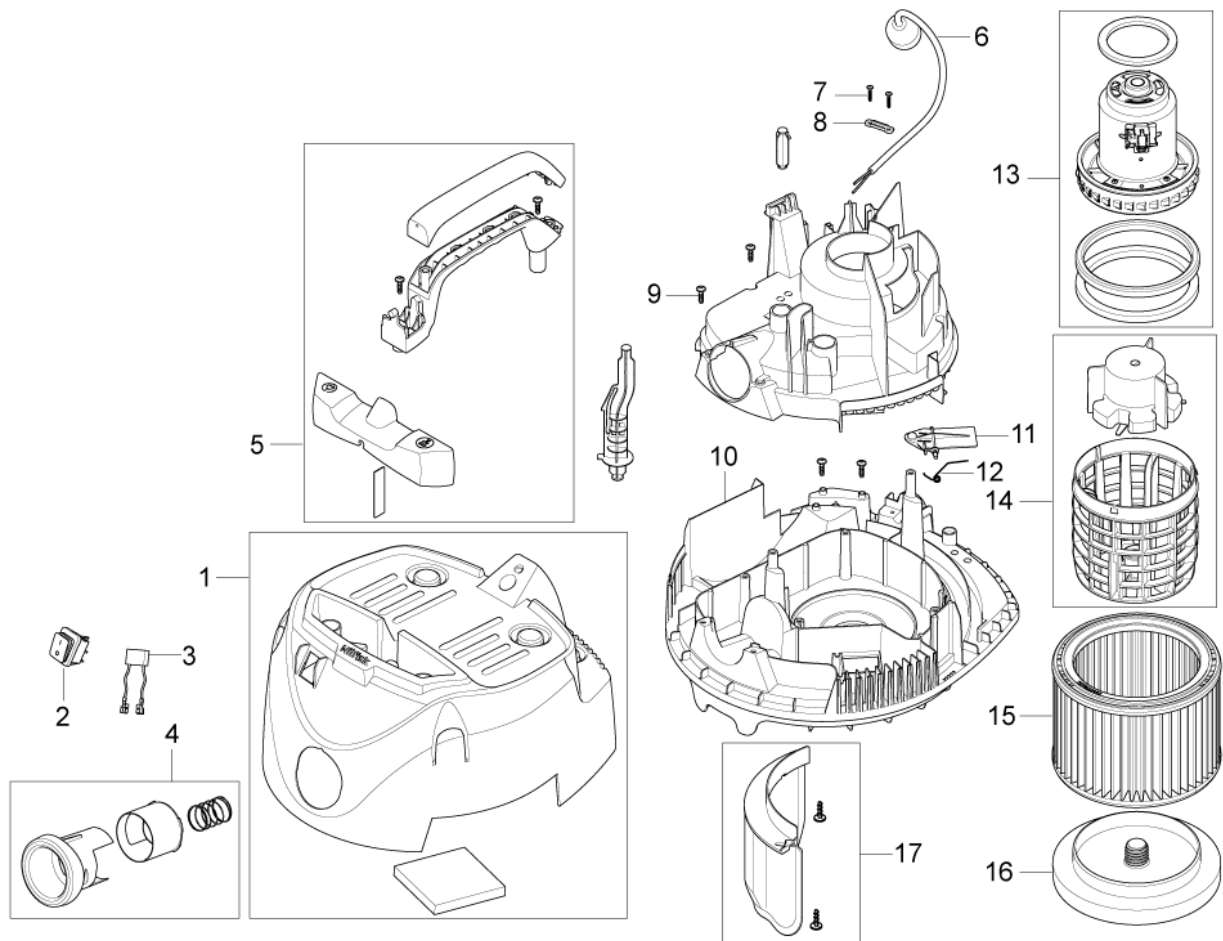
No.	Part No.	Qty.	Description	Part Note
01	107402775	1	CONTAINER 20L -KIT	
02	107402779	2	CLAMP -KIT	
03	107402777	1	CASTOR -KIT	



No.	Part No.	Qty.	Description	Part Note
01	107402780	1	CONTAINER 20L INOX -KIT	
02	107402779	2	CLAMP -KIT	
03	107401456	1	DRAINVALVE KIT	
04	107402778	1	CONTAINER RING WITH WHEEL -KIT	
05	107402777	2	CASTOR -KIT	



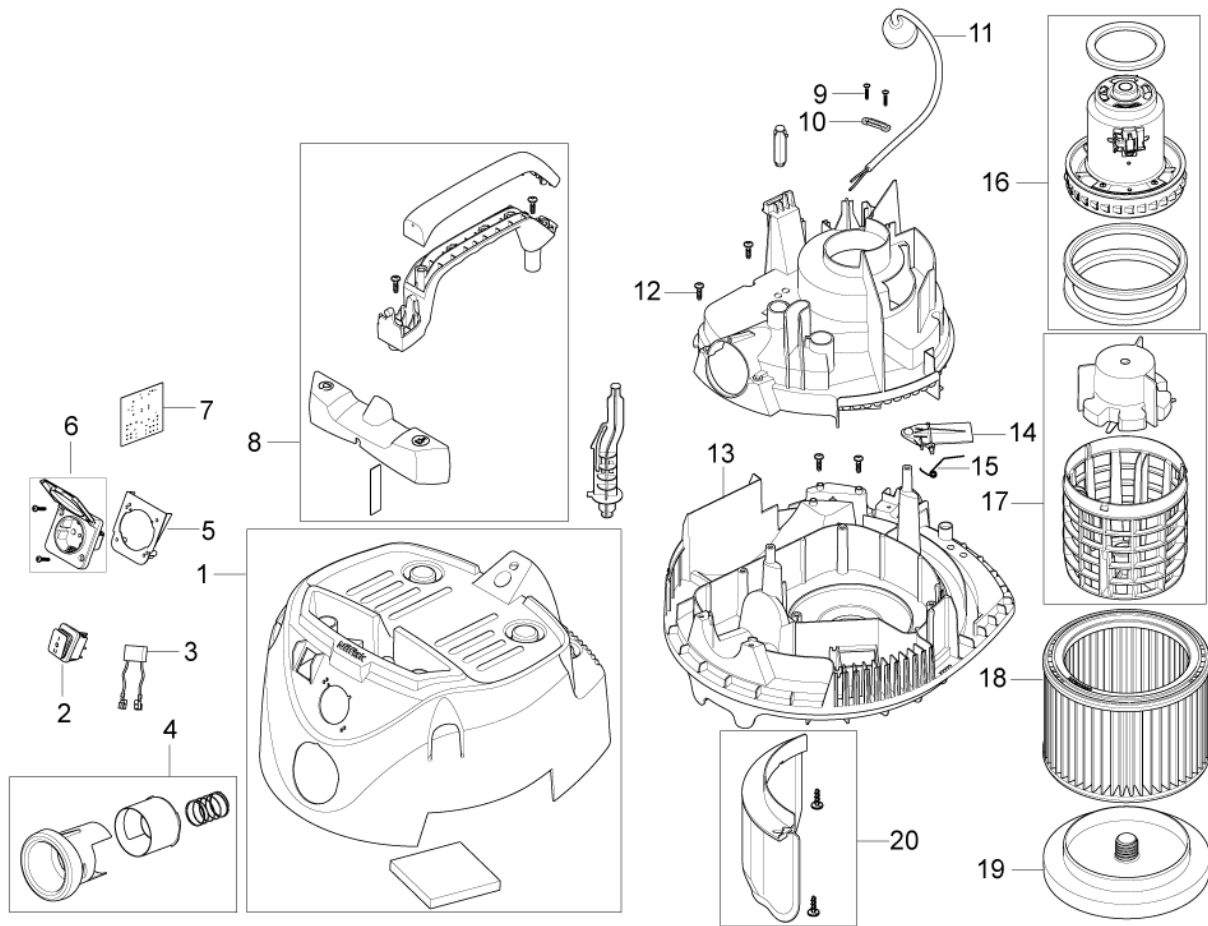
No.	Part No.	Qty.	Description	Part Note
01	302002509	1	SUCTION BRUSH D36 BLACK	
02	14295	1	UNIVERSAL NOZZLE D36X115	
03	302002365	1	COMBI NOZZLE Ø36X260MM	
04	107402338	1	WET AND DRY FILTER MULTI	
05	107402336	1	DUST BAG 4 PCS MULTI	
06	107402706	1	FLOOR NOZZLE D36x300MM W/D KIT	
07	29541	1	CREVICE NOZZLE D36X200	
08	107400032	1	EXTENSION TUBE D36 2X500MM ALU	
08	40696	1	EXTENSION TUBE D36 2X515MM PLASTIC	
09	302002356	1	TOOL ADAPTER	
10	107405600	1	SUCTION HOSE D32x1900 CPL.	
10	107405599	1	SUCTION HOSE D32X2500 CPL.	
10	107406115	1	SUCTION HOSE D32X3500 CPL.	
11	107402773	1	TUBE HOLDER TELESCOPIC -KIT	
11	107402774	1	TUBE HOLDER AL/PLASTIC -KIT	
12	107402483	1	BLOW NOZZLE KIT	
13	107402478	1	WALL DRILL KIT	
14	107402705	1	TELESCOPIC TUBE PLAST.-KIT	
15	107402799	1	HOOK -KIT	



No.	Part No.	Qty.	Description	Part Note
00	107403729	1	BOX MULTI 20	
00	107403730	1	BOX MULTI 30	
1	107402764	1	COVER NILFISK- FC- KIT	
2	107404540	1	SWITCH 0-1 DOUBLE POLE SET	
3	48338	1	ANTI-INTERFERENCE CAPACITOR	
4	107402770	1	OUTLET-KIT	
5	107402769	1	HANDLE-KIT	
6	60902	1	POWER CORD H05VV-F 2X0.75X5.7A	[1]
6	60282	1	POWER CORD H07BQ-F 2X1.5 SQUAR	[2]
6	60903	1	POWERCORD H05VV-F 2X0.75X5.M S	[3]
6	60865	1	CABLE H05VV-F 2 X 0.75 X 5.0 C	[4]
7	302004032	2	SCREW PT35X18	
8	302004030	1	STRAP FOR CABLE	
9	302004029	18	SCREW PT50X18	
10	107402768	1	MOUNTINGPLATE-KIT	
11	107409129	1	PC FLAP - KIT	
12	909100083	1	TORSION SPRING D0.9X18X45 INOX	
13	107406173	1	MOTOR KIT 1400W	
14	302002427	1	FILTER SUPPORT CAGE WITH FLOAT	
15	107402338	1	WET AND DRY FILTER MULTI	
16	302002042	1	FILTER TENSION DISC D184X45	
17	107407705	1	DEFLECTOR PLATE KIT	

Part Notes:

- [1] - AU, NZ
- [2] - UK
- [3] - ZA
- [4] - EU
STOCK COVERS GUARANTEE

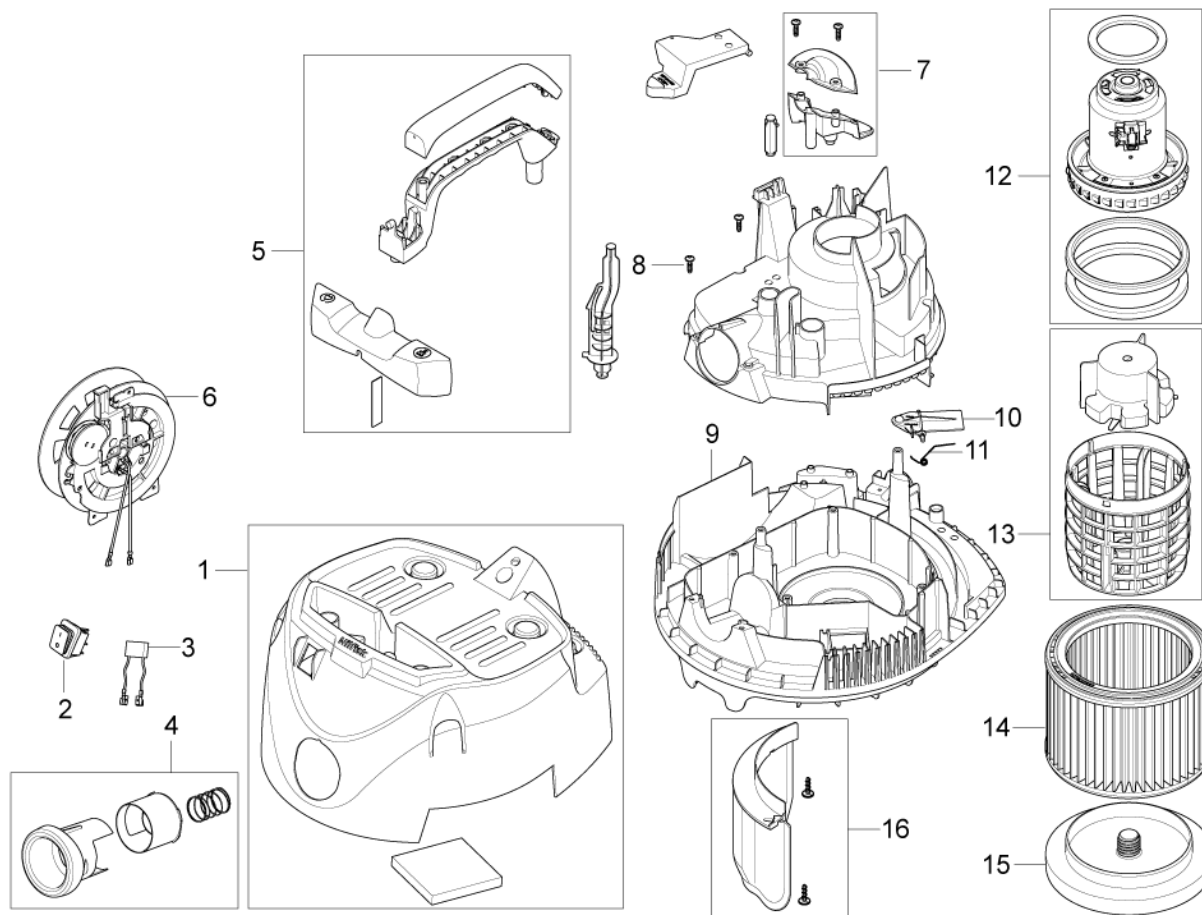


No.	Part No.	Qty.	Description	Part Note
01	107402766	1	COVER FC FOR SOCKET -KIT	
02	107404541	1	SWITCH 1-0-2 DOUBLE POLE SET	
03	48338	1	ANTI-INTERFERENCE CAPACITOR	
04	107402770	1	OUTLET-KIT	
05	302002052	1	PLUG SOCKET PLATE	
06	302004034	1	SOCKET 16A/250V EU	
07	107401443	1	PCB 220-240V NO SR	
08	107402769	1	HANDLE-KIT	
09	302004032	1	SCREW PT35X18	
10	302004030	2	STRAP FOR CABLE	
11	61129	1	POWER CORD H05VV-F3G1.5X5	[1]
11	61130	1	POWERCORD H05VV-F 3G1.5X5.7M C	[2]
12	302004029	18	SCREW PT50X18	
13	107402768	1	MOUNTINGPLATE-KIT	
14	107409129	1	PC FLAP - KIT	
15	909100083	1	TORSION SPRING D0.9X18X45 INOX	
16	107406173	1	MOTOR KIT 1400W	
17	302002427	1	FILTER SUPPORT CAGE WITH FLOAT	
18	107402338	1	WET AND DRY FILTER MULTI	
19	302002042	1	FILTER TENSION DISC D184X45	
20	107407705	1	DEFLECTOR PLATE KIT	

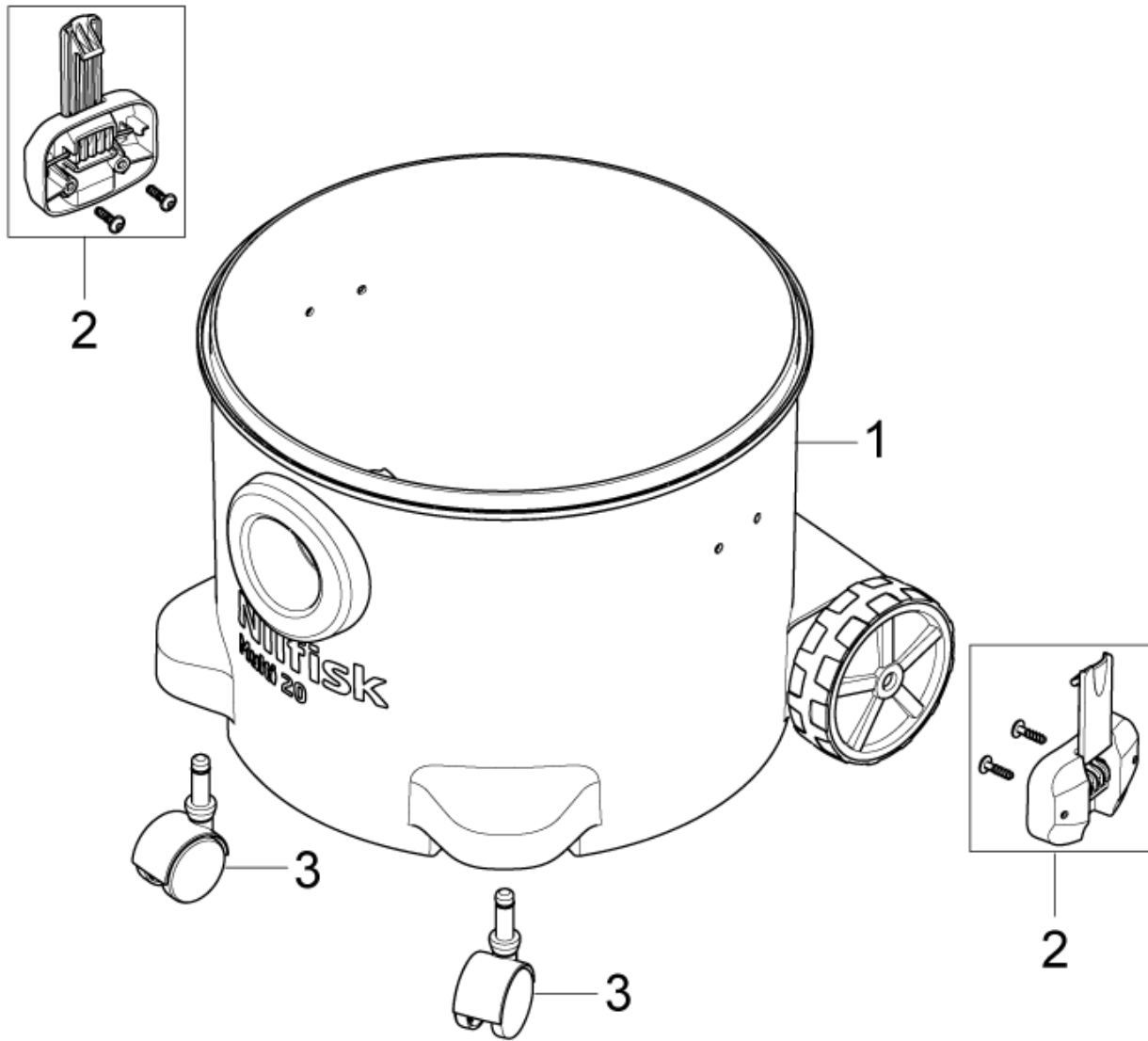
Part Notes:

[1] - UK

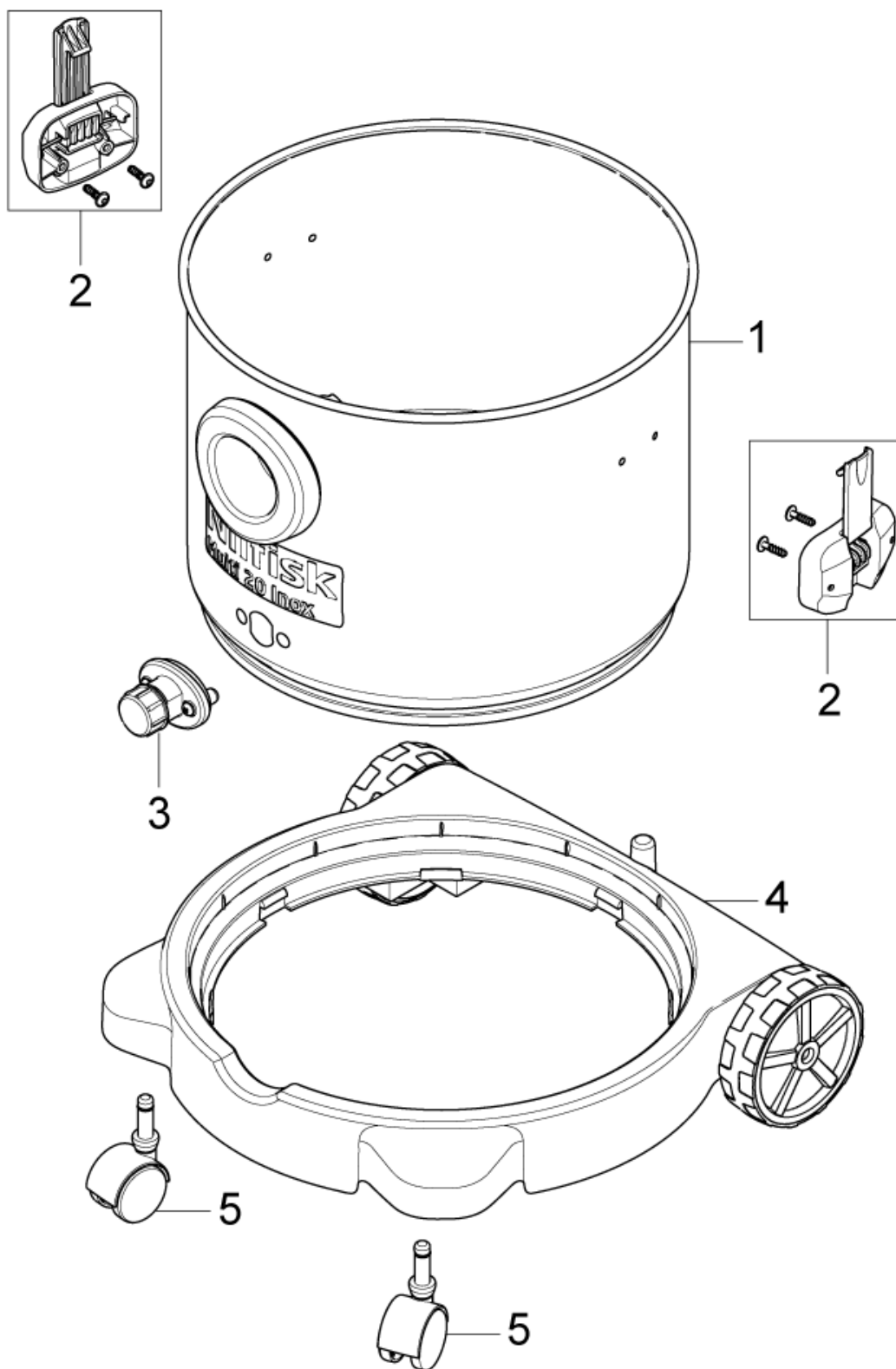
[2] - EU



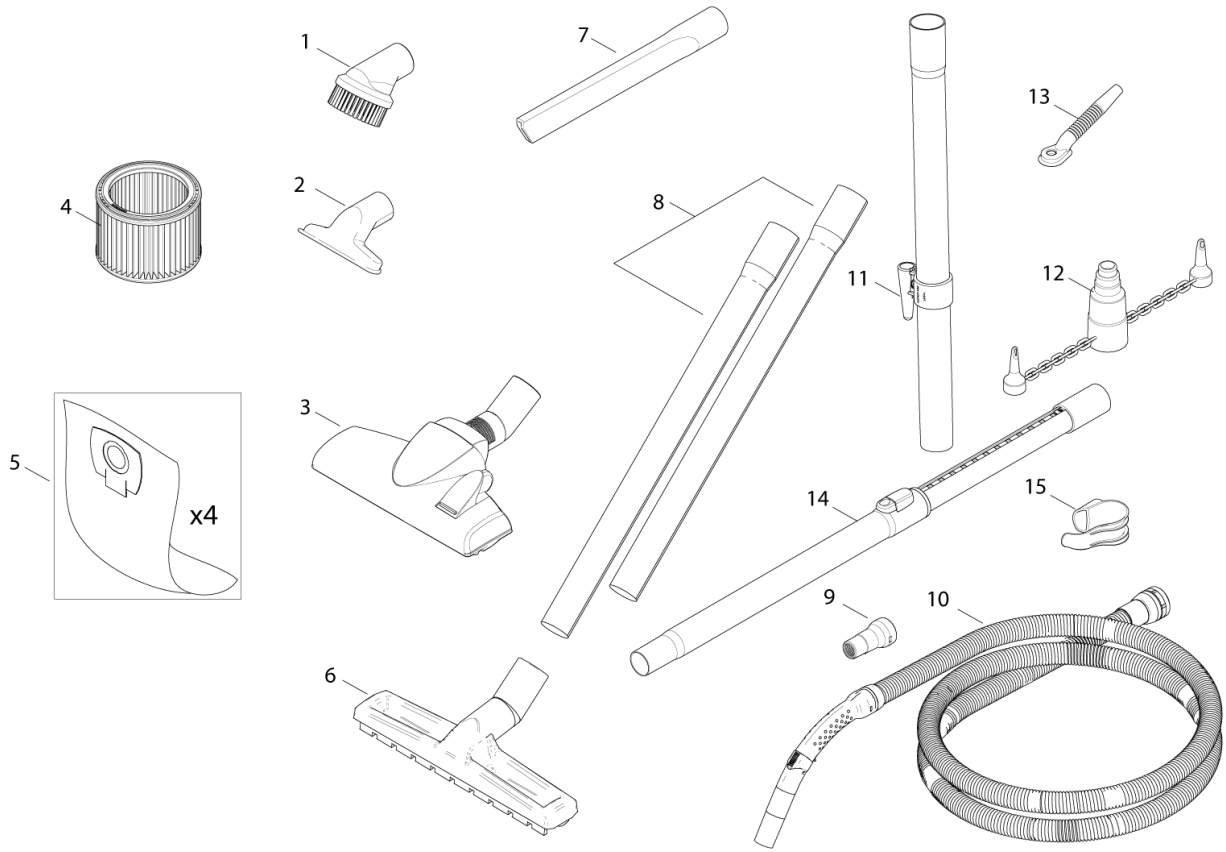
No.	Part No.	Qty.	Description	Part Note
01	107402765	1	COVER NILFISK- CR- KIT	
02	107404540	1	SWITCH 0-1 DOUBLE POLE SET	
03	48338	1	ANTI-INTERFERENCE CAPACITOR	
04	107402770	1	OUTLET-KIT	
05	107402769	1	HANDLE-KIT	
06	107402818	1	CABLE REWINDING FOR 2 WIRE UK	
06	107401436	1	CABLE REWIND 2-POLE EU	
07	107402772	1	CABLE REWIND -KIT	
08	302004029	18	SCREW PT50X18	
09	107402768	1	MOUNTINGPLATE-KIT	
10	107409129	1	PC FLAP - KIT	
11	909100083	1	TORSION SPRING D0.9X18X45 INOX	
12	107406173	1	MOTOR KIT 1400W	
13	302002427	1	FILTER SUPPORT CAGE WITH FLOAT	
14	107402338	1	WET AND DRY FILTER MULTI	
15	302002042	1	FILTER TENSION DISC D184X45	
16	107407705	1	DEFLECTOR PLATE KIT	



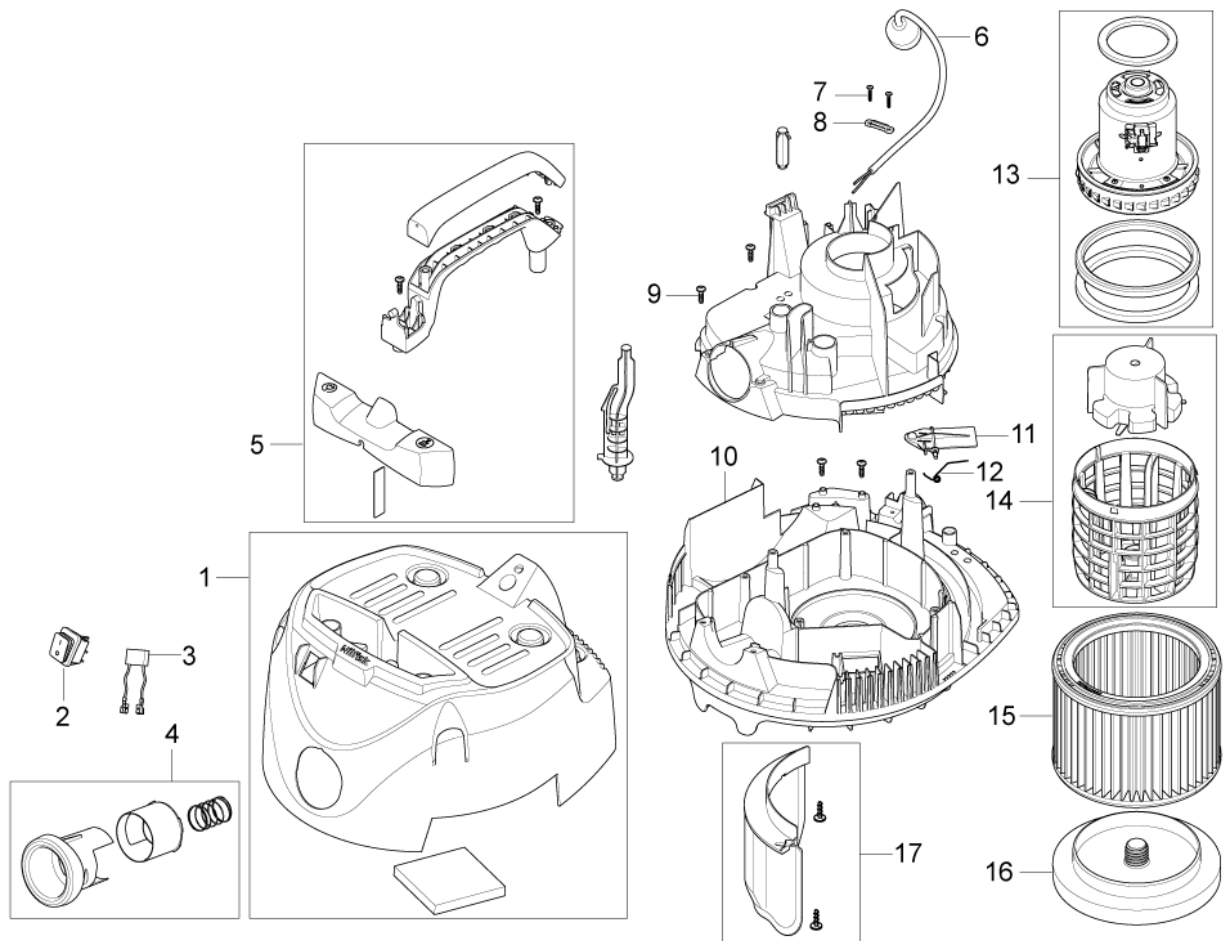
No.	Part No.	Qty.	Description	Part Note
01	107402775	1	CONTAINER 20L -KIT	
02	107402779	2	CLAMP -KIT	
03	107402777	1	CASTOR -KIT	



No.	Part No.	Qty.	Description	Part Note
01	107402780	1	CONTAINER 20L INOX -KIT	
02	107402779	2	CLAMP -KIT	
03	107401456	1	DRAINVALVE KIT	
04	107402778	1	CONTAINER RING WITH WHEEL -KIT	
05	107402777	2	CASTOR -KIT	



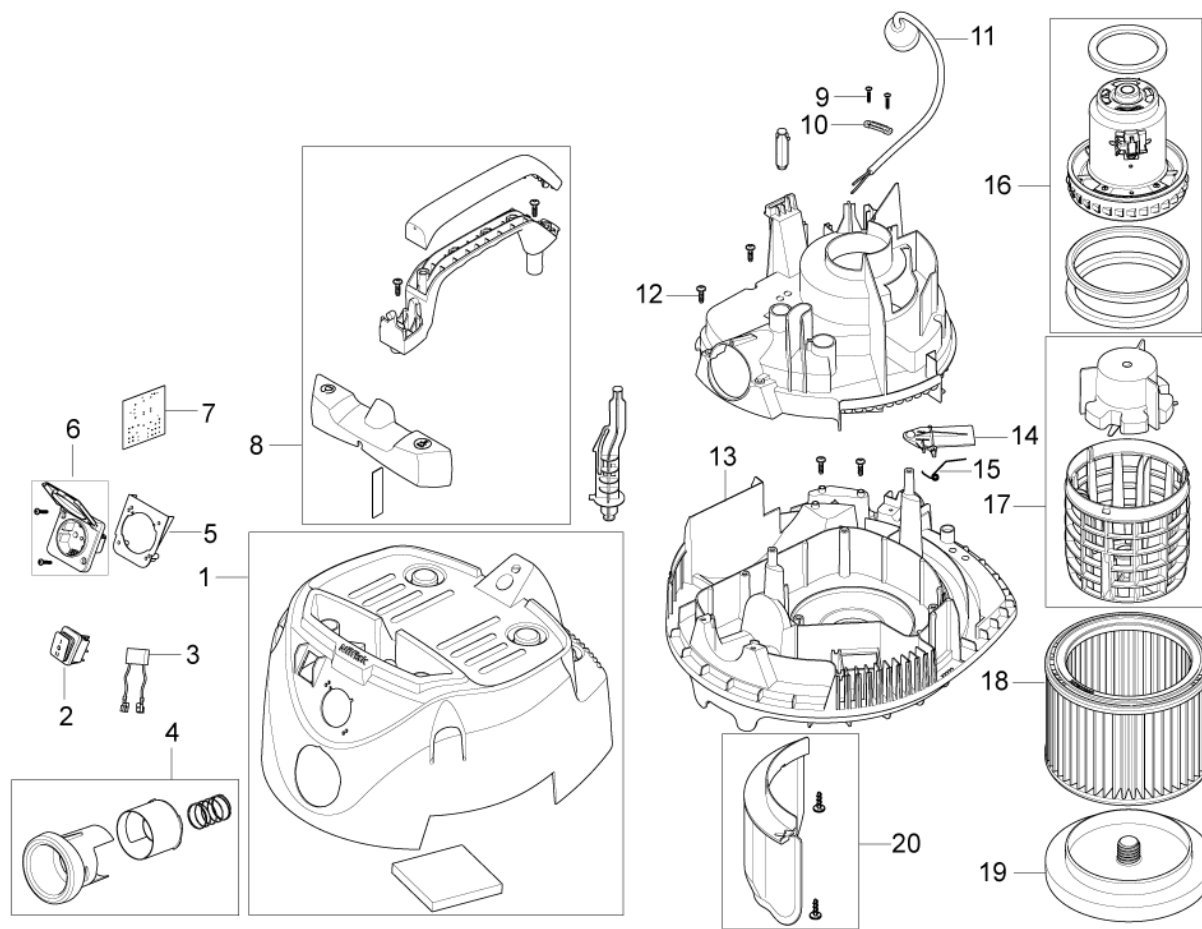
No.	Part No.	Qty.	Description	Part Note
01	302002509	1	SUCTION BRUSH D36 BLACK	
02	14295	1	UNIVERSAL NOZZLE D36X115	
03	302002365	1	COMBI NOZZLE Ø36X260MM	
04	107402338	1	WET AND DRY FILTER MULTI	
05	107402336	1	DUST BAG 4 PCS MULTI	
06	107402706	1	FLOOR NOZZLE D36x300MM W/D KIT	
07	29541	1	CREVICE NOZZLE D36X200	
08	107400032	1	EXTENSION TUBE D36 2X500MM ALU	
08	40696	1	EXTENSION TUBE D36 2X515MM PLASTIC	
09	302002356	1	TOOL ADAPTER	
10	107405600	1	SUCTION HOSE D32x1900 CPL.	
10	107405599	1	SUCTION HOSE D32X2500 CPL.	
10	107406115	1	SUCTION HOSE D32X3500 CPL.	
11	107402773	1	TUBE HOLDER TELESCOPIC -KIT	
11	107402774	1	TUBE HOLDER AL/PLASTIC -KIT	
12	107402483	1	BLOW NOZZLE KIT	
13	107402478	1	WALL DRILL KIT	
14	107402705	1	TELESCOPIC TUBE PLAST.-KIT	
15	107402799	1	HOOK -KIT	



No.	Part No.	Qty.	Description	Part Note
00	107403729	1	BOX MULTI 20	
00	107403730	1	BOX MULTI 30	
1	107402764	1	COVER NILFISK- FC- KIT	
2	107404540	1	SWITCH 0-1 DOUBLE POLE SET	
3	48338	1	ANTI-INTERFERENCE CAPACITOR	
4	107402770	1	OUTLET-KIT	
5	107402769	1	HANDLE-KIT	
6	60902	1	POWER CORD H05VV-F 2X0.75X5.7A	[1]
6	60282	1	POWER CORD H07BQ-F 2X1.5 SQUAR	[2]
6	60903	1	POWERCORD H05VV-F 2X0.75X5.M S	[3]
6	60865	1	CABLE H05VV-F 2 X 0.75 X 5.0 C	[4]
7	302004032	2	SCREW PT35X18	
8	302004030	1	STRAP FOR CABLE	
9	302004029	18	SCREW PT50X18	
10	107402768	1	MOUNTINGPLATE-KIT	
11	107409129	1	PC FLAP - KIT	
12	909100083	1	TORSION SPRING D0.9X18X45 INOX	
13	107406173	1	MOTOR KIT 1400W	
14	302002427	1	FILTER SUPPORT CAGE WITH FLOAT	
15	107402338	1	WET AND DRY FILTER MULTI	
16	302002042	1	FILTER TENSION DISC D184X45	
17	107407705	1	DEFLECTOR PLATE KIT	

Part Notes:

- [1] - AU, NZ
- [2] - UK
- [3] - ZA
- [4] - EU
STOCK COVERS GUARANTEE

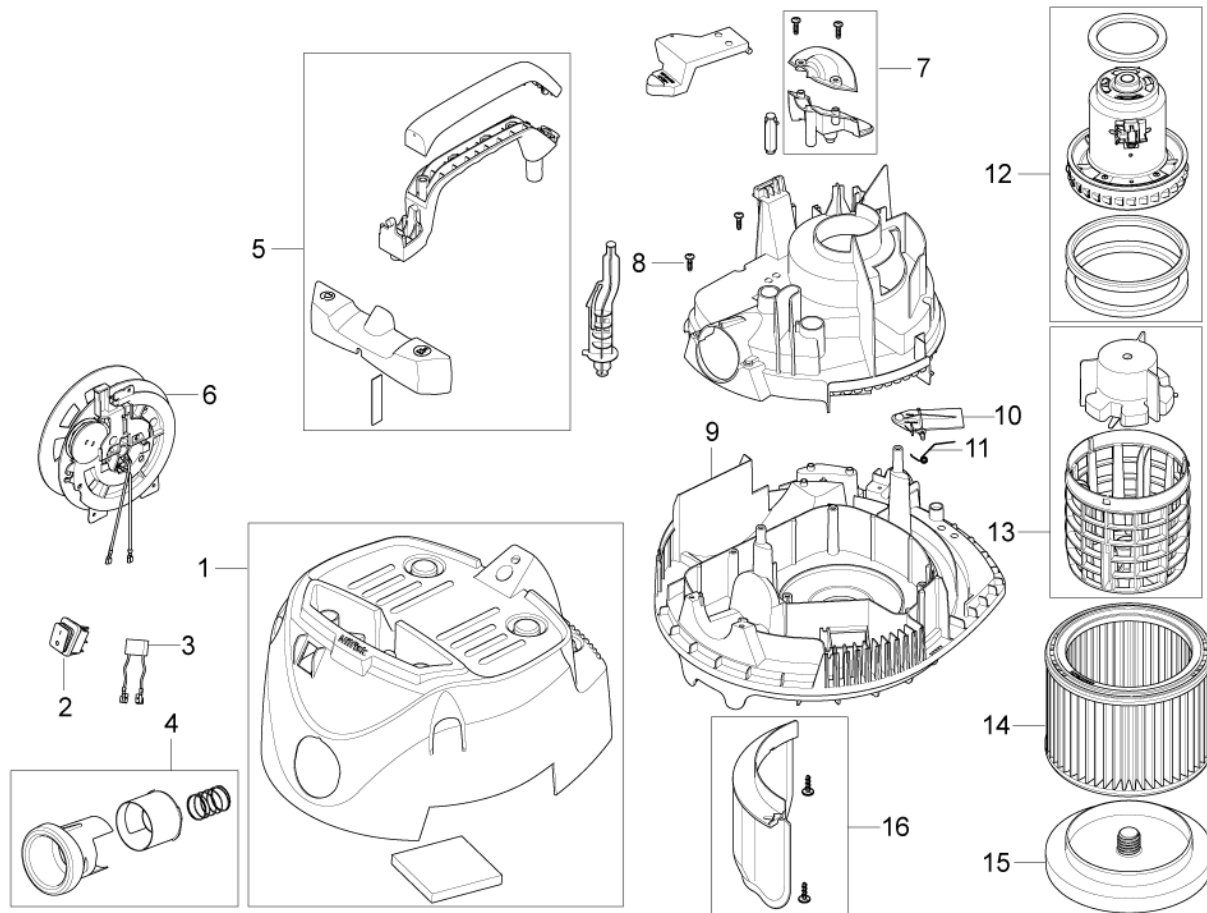


No.	Part No.	Qty.	Description	Part Note
01	107402766	1	COVER FC FOR SOCKET -KIT	
02	107404541	1	SWITCH 1-0-2 DOUBLE POLE SET	
03	48338	1	ANTI-INTERFERENCE CAPACITOR	
04	107402770	1	OUTLET-KIT	
05	302002052	1	PLUG SOCKET PLATE	
06	302004034	1	SOCKET 16A/250V EU	
07	107401443	1	PCB 220-240V NO SR	
08	107402769	1	HANDLE-KIT	
09	302004032	1	SCREW PT35X18	
10	302004030	2	STRAP FOR CABLE	
11	61129	1	POWER CORD H05VV-F3G1.5X5	[1]
11	61130	1	POWERCORD H05VV-F 3G1.5X5.7M C	[2]
12	302004029	18	SCREW PT50X18	
13	107402768	1	MOUNTINGPLATE-KIT	
14	107409129	1	PC FLAP - KIT	
15	909100083	1	TORSION SPRING D0.9X18X45 INOX	
16	107406173	1	MOTOR KIT 1400W	
17	302002427	1	FILTER SUPPORT CAGE WITH FLOAT	
18	107402338	1	WET AND DRY FILTER MULTI	
19	302002042	1	FILTER TENSION DISC D184X45	
20	107407705	1	DEFLECTOR PLATE KIT	

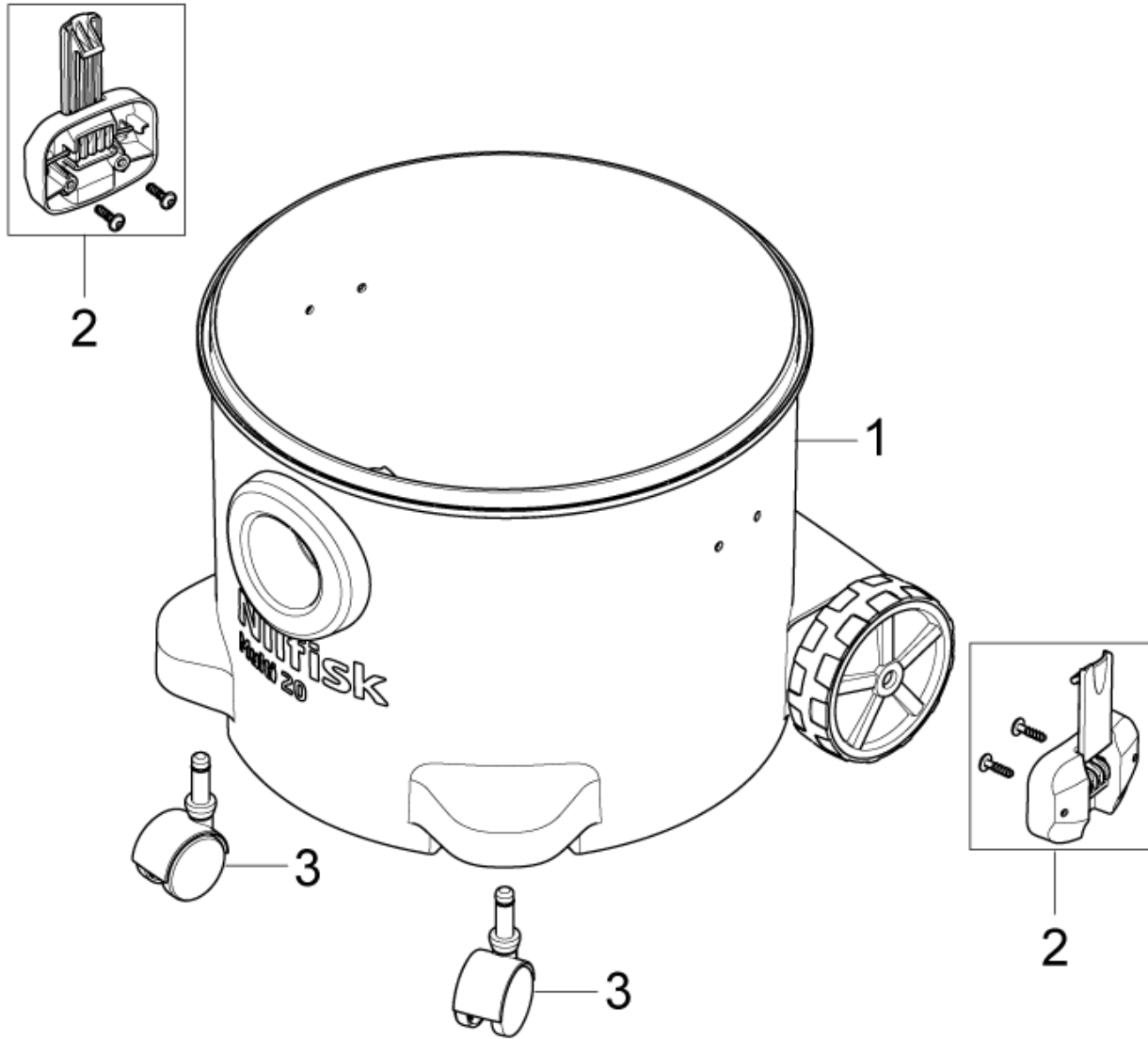
Part Notes:

[1] - UK

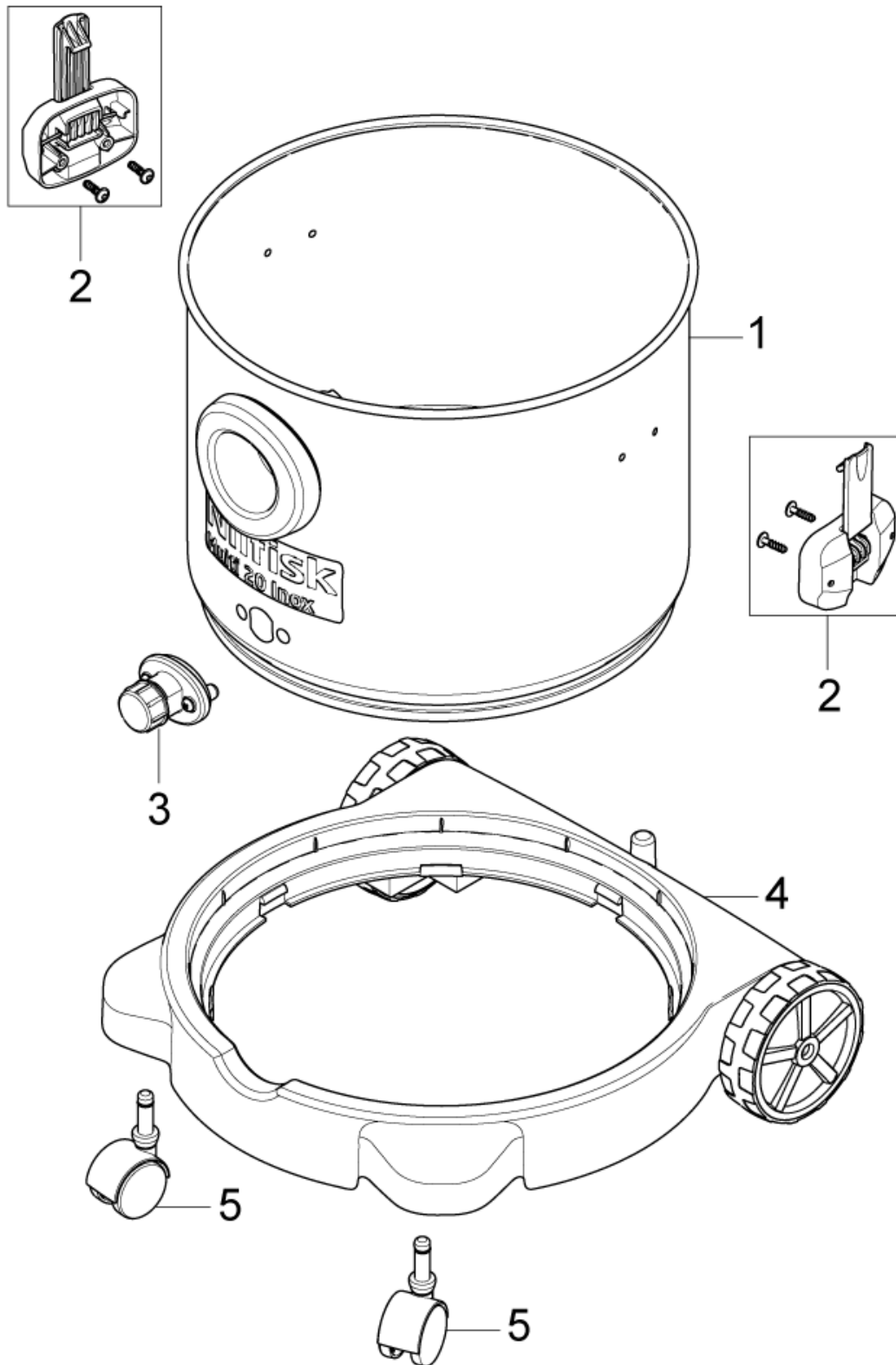
[2] - EU



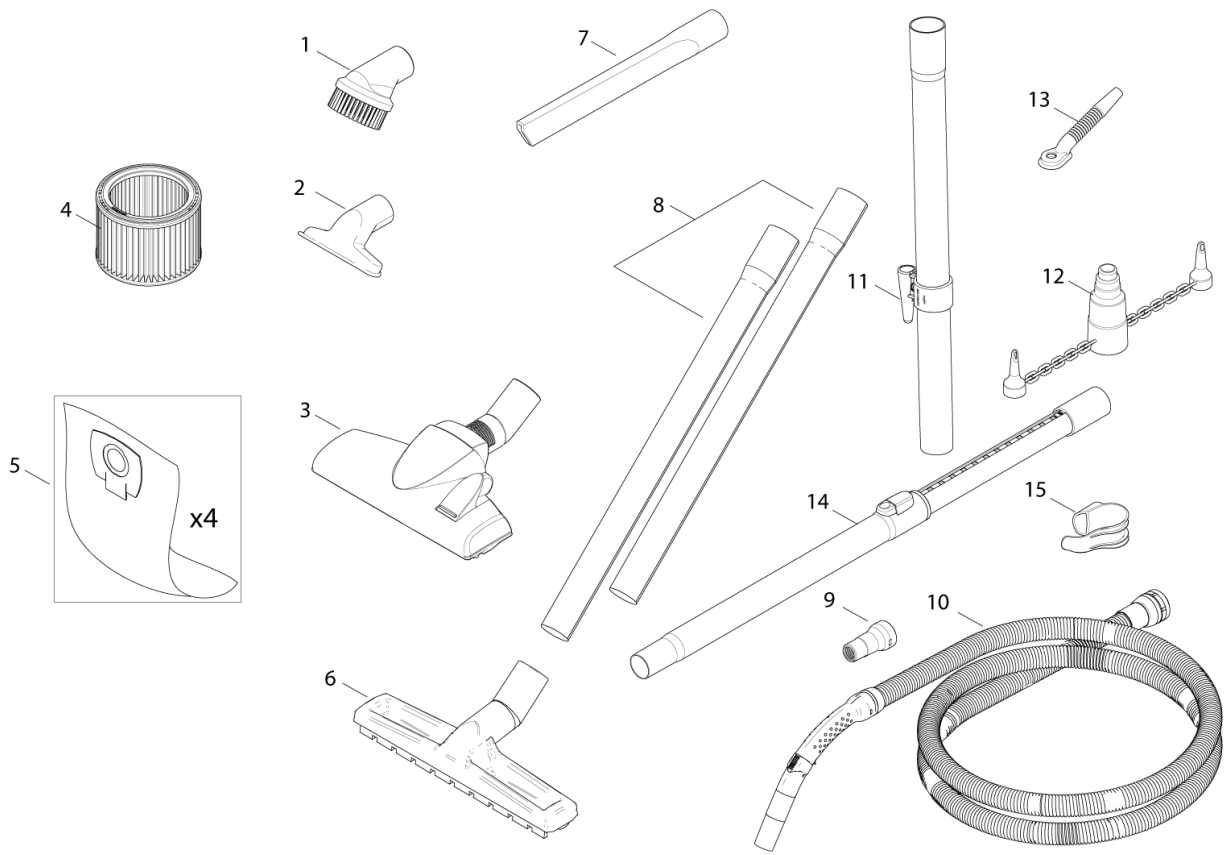
No.	Part No.	Qty.	Description	Part Note
01	107402765	1	COVER NILFISK- CR- KIT	
02	107404540	1	SWITCH 0-1 DOUBLE POLE SET	
03	48338	1	ANTI-INTERFERENCE CAPACITOR	
04	107402770	1	OUTLET-KIT	
05	107402769	1	HANDLE-KIT	
06	107402818	1	CABLE REWINDING FOR 2 WIRE UK	
06	107401436	1	CABLE REWIND 2-POLE EU	
07	107402772	1	CABLE REWIND -KIT	
08	302004029	18	SCREW PT50X18	
09	107402768	1	MOUNTINGPLATE-KIT	
10	107409129	1	PC FLAP - KIT	
11	909100083	1	TORSION SPRING D0.9X18X45 INOX	
12	107406173	1	MOTOR KIT 1400W	
13	302002427	1	FILTER SUPPORT CAGE WITH FLOAT	
14	107402338	1	WET AND DRY FILTER MULTI	
15	302002042	1	FILTER TENSION DISC D184X45	
16	107407705	1	DEFLECTOR PLATE KIT	



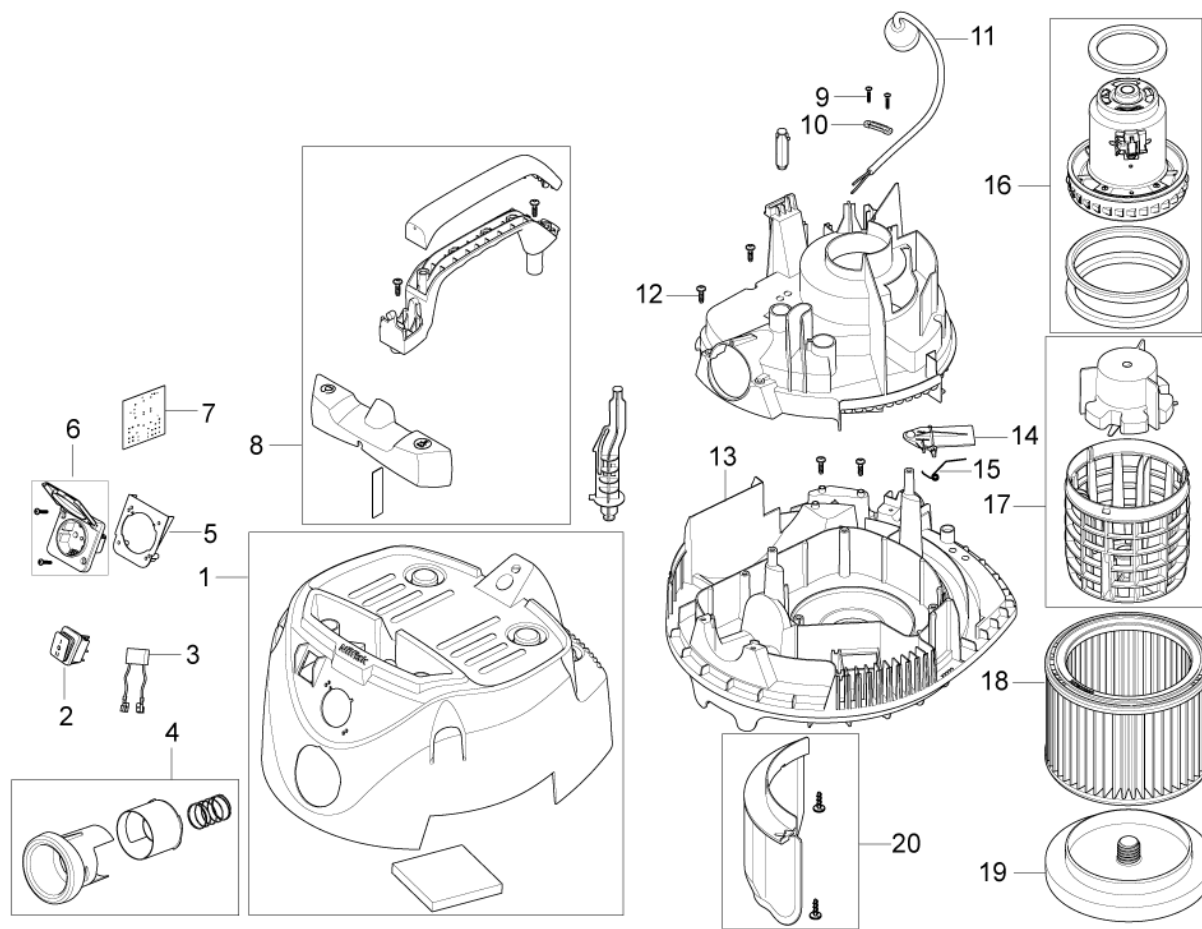
No.	Part No.	Qty.	Description	Part Note
01	107402775	1	CONTAINER 20L -KIT	
02	107402779	2	CLAMP -KIT	
03	107402777	1	CASTOR -KIT	



No.	Part No.	Qty.	Description	Part Note
01	107402780	1	CONTAINER 20L INOX -KIT	
02	107402779	2	CLAMP -KIT	
03	107401456	1	DRAINVALVE KIT	
04	107402778	1	CONTAINER RING WITH WHEEL -KIT	
05	107402777	2	CASTOR -KIT	



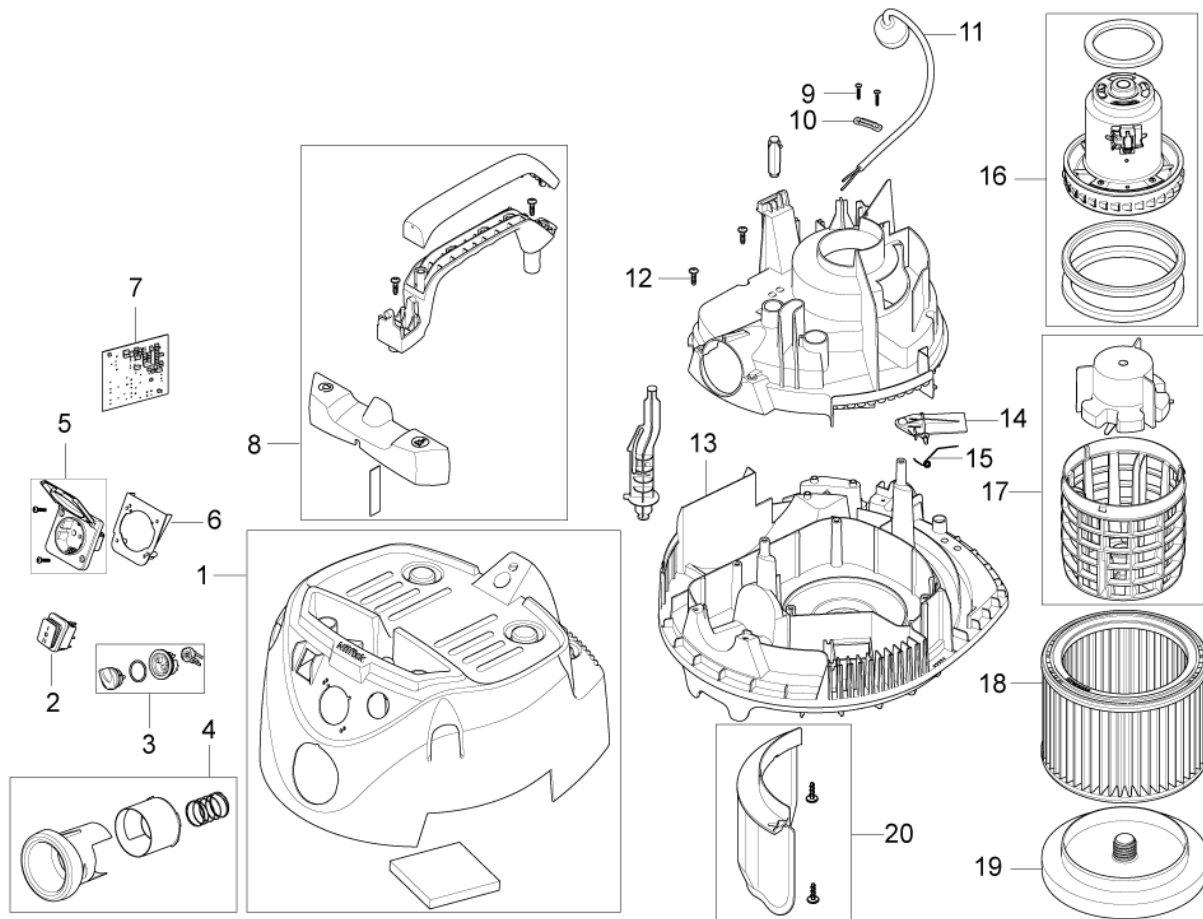
No.	Part No.	Qty.	Description	Part Note
01	302002509	1	SUCTION BRUSH D36 BLACK	
02	14295	1	UNIVERSAL NOZZLE D36X115	
03	302002365	1	COMBI NOZZLE Ø36X260MM	
04	107402338	1	WET AND DRY FILTER MULTI	
05	107402336	1	DUST BAG 4 PCS MULTI	
06	107402706	1	FLOOR NOZZLE D36x300MM W/D KIT	
07	29541	1	CREVICE NOZZLE D36X200	
08	107400032	1	EXTENSION TUBE D36 2X500MM ALU	
08	40696	1	EXTENSION TUBE D36 2X515MM PLASTIC	
09	302002356	1	TOOL ADAPTER	
10	107405600	1	SUCTION HOSE D32x1900 CPL.	
10	107405599	1	SUCTION HOSE D32X2500 CPL.	
10	107406115	1	SUCTION HOSE D32X3500 CPL.	
11	107402773	1	TUBE HOLDER TELESCOPIC -KIT	
11	107402774	1	TUBE HOLDER AL/PLASTIC -KIT	
12	107402483	1	BLOW NOZZLE KIT	
13	107402478	1	WALL DRILL KIT	
14	107402705	1	TELESCOPIC TUBE PLAST.-KIT	
15	107402799	1	HOOK -KIT	



No.	Part No.	Qty.	Description	Part Note
01	107402766	1	COVER FC FOR SOCKET -KIT	
02	107404541	1	SWITCH 1-0-2 DOUBLE POLE SET	
03	48338	1	ANTI-INTERFERENCE CAPACITOR	
04	107402770	1	OUTLET-KIT	
05	302002052	1	PLUG SOCKET PLATE	
06	302004034	1	SOCKET 16A/250V EU	
06	302004336	1	SOCKET 13A/250V GB	
07	107401443	1	PCB 220-240V NO SR	
08	107402769	1	HANDLE-KIT	
09	302004032	1	SCREW PT35X18	
10	302004030	2	STRAP FOR CABLE	
11	61129	1	POWER CORD H05VV-F3G1.5X5	[1]
11	61130	1	POWERCORD H05VV-F 3G1.5X5.7M C	[2]
12	302004029	18	SCREW PT50X18	
13	107402768	1	MOUNTINGPLATE-KIT	
14	107409129	1	PC FLAP - KIT	
15	909100083	1	TORSION SPRING D0.9X18X45 INOX	
16	107406173	1	MOTOR KIT 1400W	
17	302002427	1	FILTER SUPPORT CAGE WITH FLOAT	
18	107402338	1	WET AND DRY FILTER MULTI	
19	302002042	1	FILTER TENSION DISC D184X45	
20	107407705	1	DEFLECTOR PLATE KIT	

Part Notes:

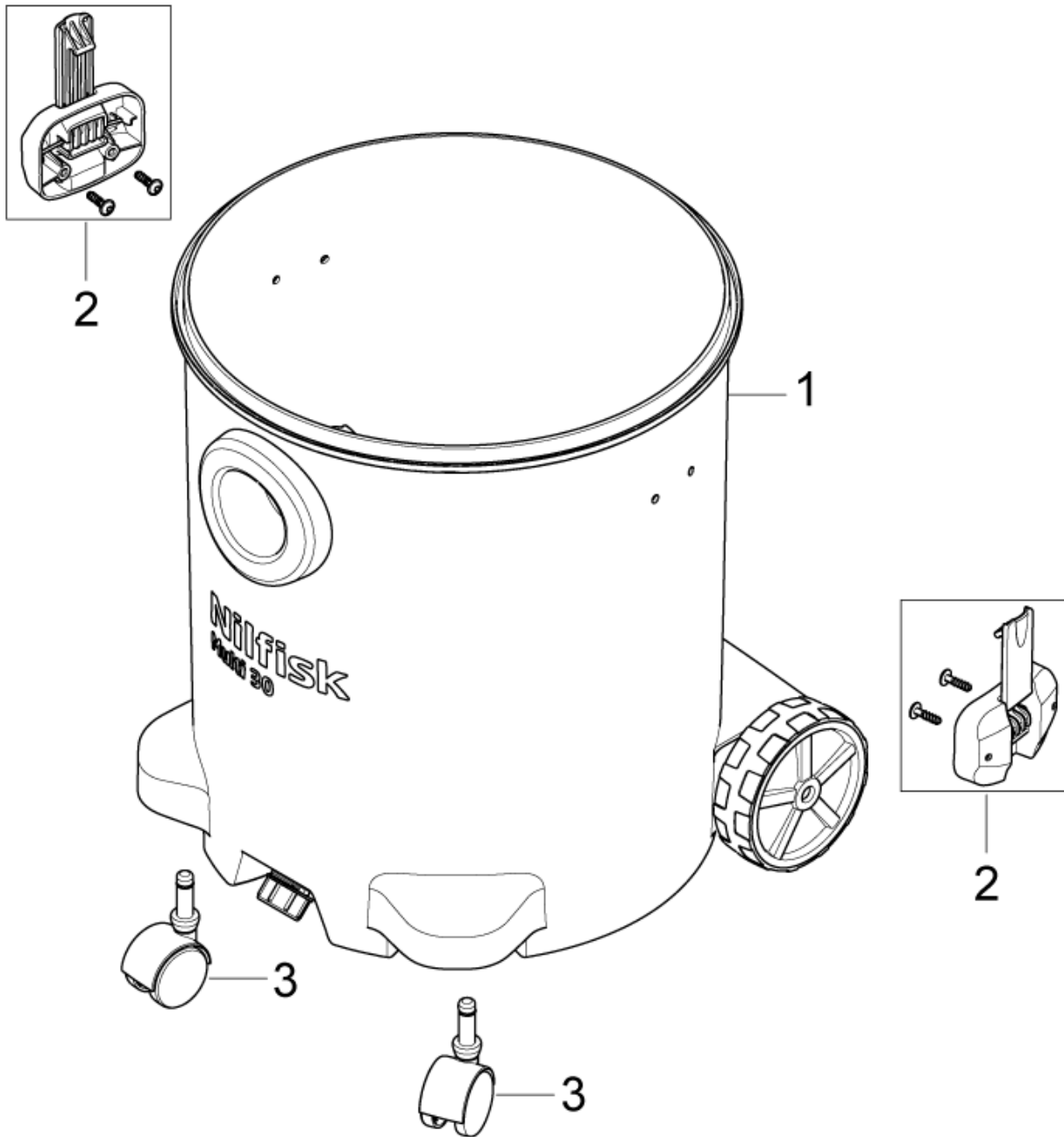
- [1] - UK
[2] - EU



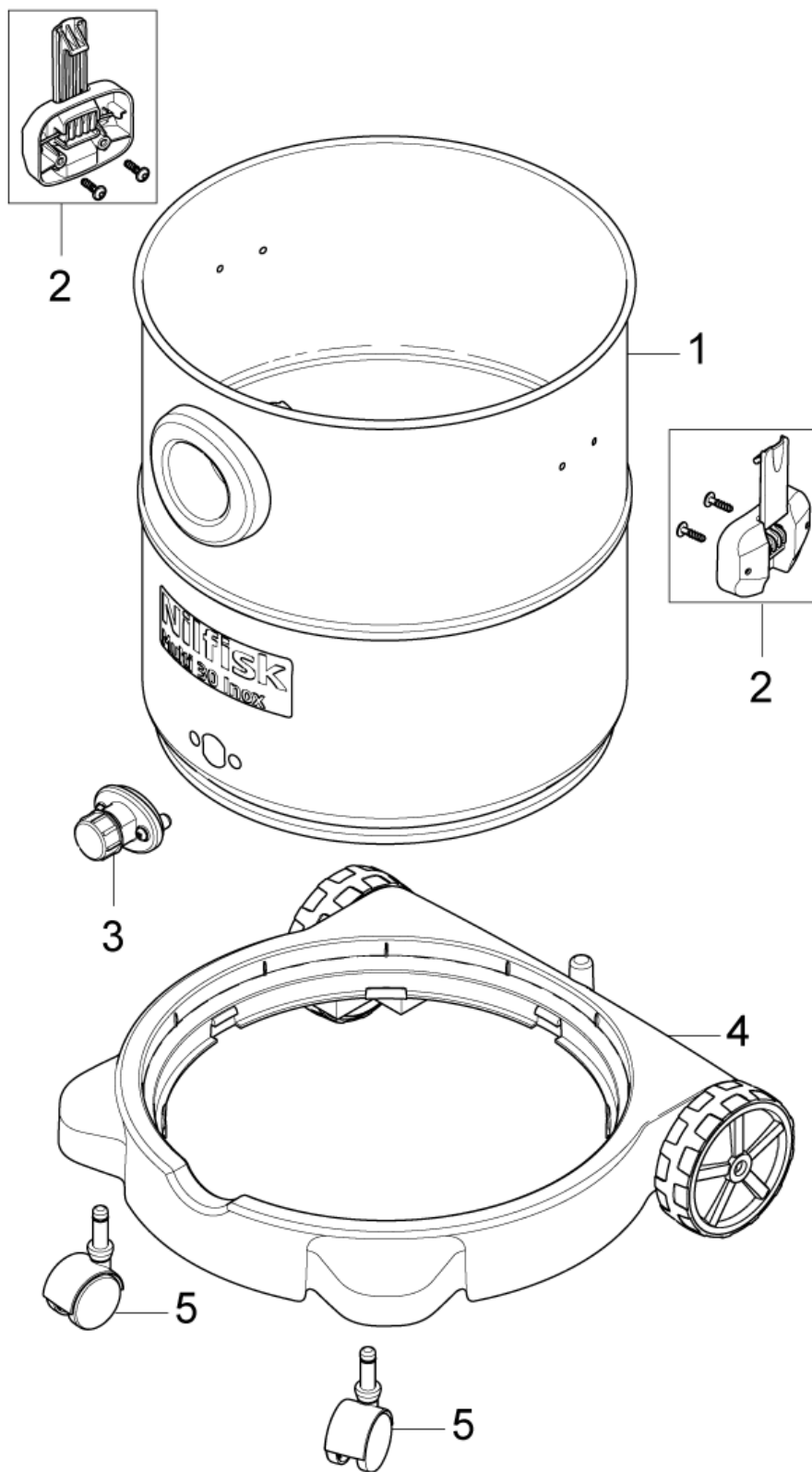
No.	Part No.	Qty.	Description	Part Note
01	107402767	1	Motorkopfabdeckung MULTI	
02	107404541	1	SWITCH 1-0-2 DOUBLE POLE SET	
03	107401447	1	SPEED REGULATION	
04	107402770	1	OUTLET-KIT	
05	302004336	1	SOCKET 13A/250V GB	
05	302004034	1	SOCKET 16A/250V EU	
06	302002052	1	PLUG SOCKET PLATE	
07	107401446	1	PCB 220-240V SPEED REGULATION	
08	107402769	1	HANDLE-KIT	
09	302004032	1	SCREW PT35X18	
10	302004030	1	STRAP FOR CABLE	
11	61130	1	POWERCORD H05VV-F 3G1.5X5.7M C	[1]
11	61129	1	POWER CORD H05VV-F3G1.5X5	[2]
12	302004029	18	SCREW PT50X18	
13	107402768	1	MOUNTINGPLATE-KIT	
14	107409129	1	PC FLAP - KIT	
15	909100083	1	TORSION SPRING D0.9X18X45 INOX	
16	107406173	1	MOTOR KIT 1400W	
17	302002427	1	FILTER SUPPORT CAGE WITH FLOAT	
18	107402338	1	WET AND DRY FILTER MULTI	
19	302002042	1	FILTER TENSION DISC D184X45	
20	107407705	1	DEFLECTOR PLATE KIT	

Part Notes:

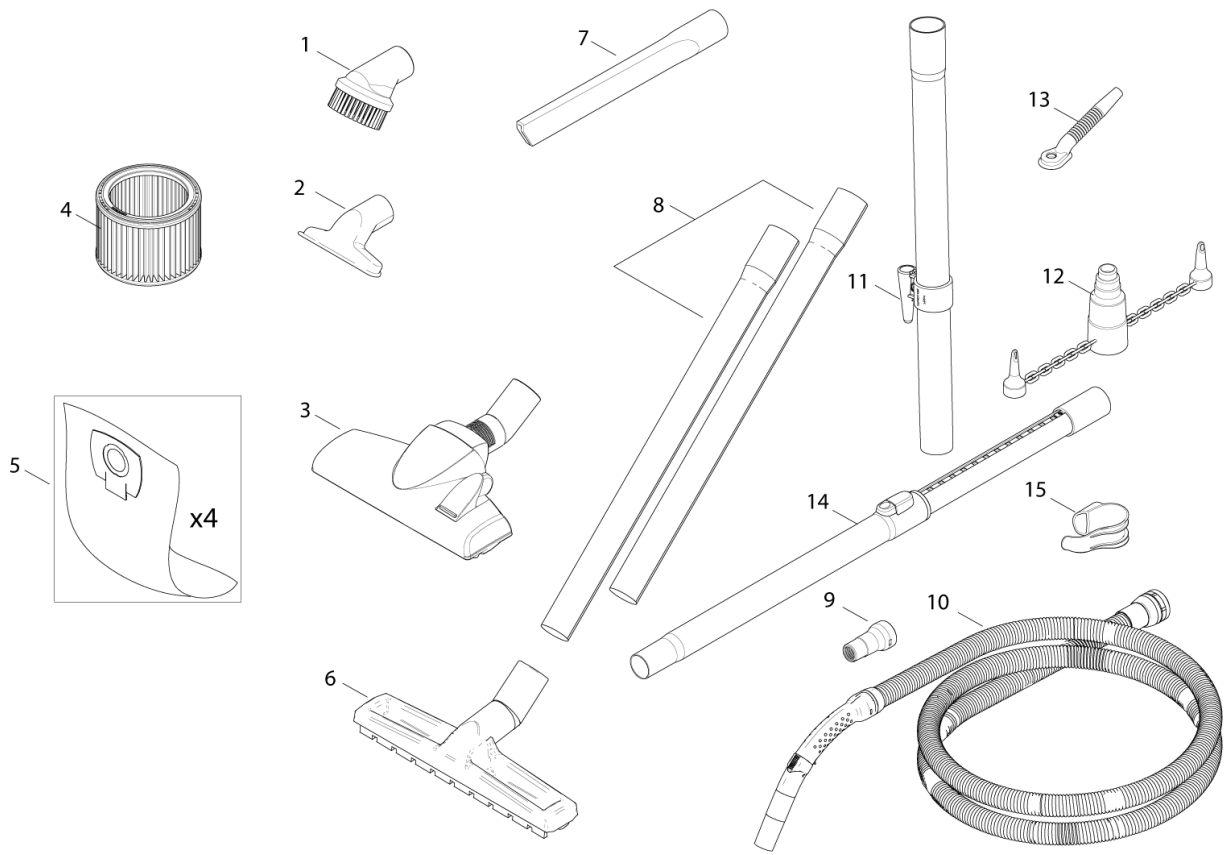
- [1] - EU
 [2] - UK



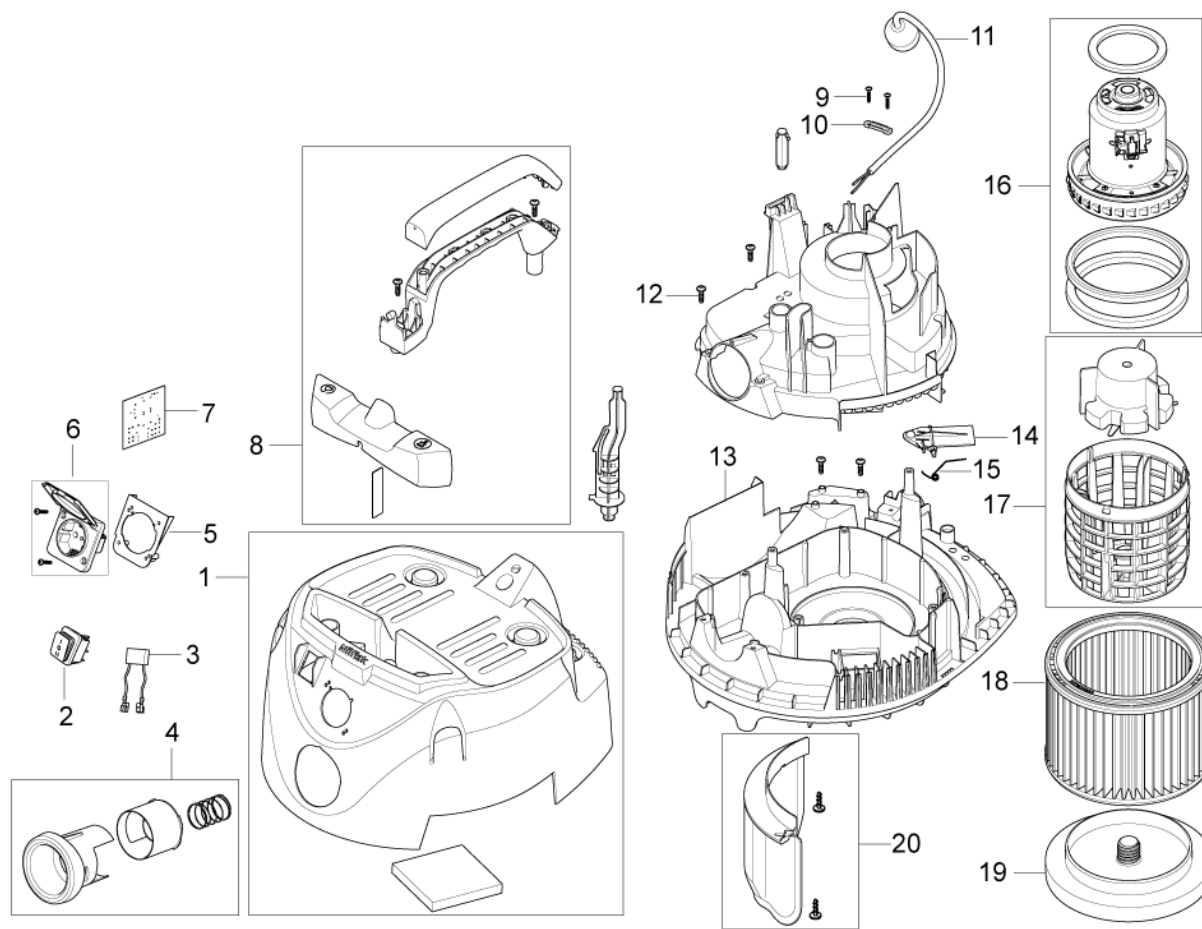
No.	Part No.	Qty.	Description	Part Note
01	107402776	1	CONTAINER 30L -KIT	
02	107402779	1	CLAMP -KIT	
03	107402777	2	CASTOR -KIT	



No.	Part No.	Qty.	Description	Part Note
01	107402798	1	CONTAINER 30L INOX -KIT	
02	107402779	1	CLAMP -KIT	
03	107401456	1	DRAINVALVE KIT	
04	107402778	1	CONTAINER RING WITH WHEEL -KIT	
05	107402777	2	CASTOR -KIT	



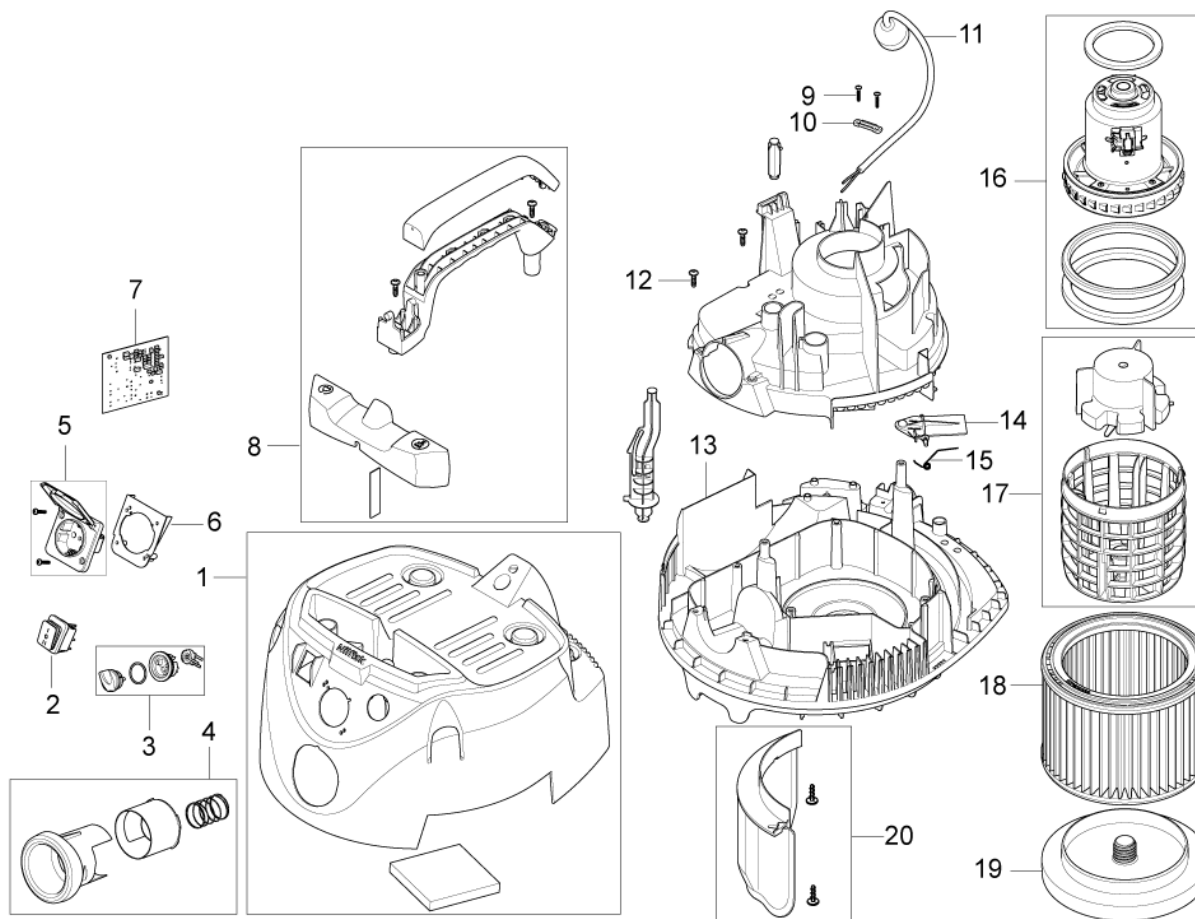
No.	Part No.	Qty.	Description	Part Note
01	302002509	1	SUCTION BRUSH D36 BLACK	
02	14295	1	UNIVERSAL NOZZLE D36X115	
03	302002365	1	COMBI NOZZLE Ø36X260MM	
04	107402338	1	WET AND DRY FILTER MULTI	
05	107402336	1	DUST BAG 4 PCS MULTI	
06	107402706	1	FLOOR NOZZLE D36x300MM W/D KIT	
07	29541	1	CREVICE NOZZLE D36X200	
08	107400032	1	EXTENSION TUBE D36 2X500MM ALU	
08	40696	1	EXTENSION TUBE D36 2X515MM PLASTIC	
09	302002356	1	TOOL ADAPTER	
10	107405600	1	SUCTION HOSE D32x1900 CPL.	
10	107405599	1	SUCTION HOSE D32X2500 CPL.	
10	107406115	1	SUCTION HOSE D32X3500 CPL.	
11	107402773	1	TUBE HOLDER TELESCOPIC -KIT	
11	107402774	1	TUBE HOLDER AL/PLASTIC -KIT	
12	107402483	1	BLOW NOZZLE KIT	
13	107402478	1	WALL DRILL KIT	
14	107402705	1	TELESCOPIC TUBE PLAST.-KIT	
15	107402799	1	HOOK -KIT	



No.	Part No.	Qty.	Description	Part Note
01	107402766	1	COVER FC FOR SOCKET -KIT	
02	107404541	1	SWITCH 1-0-2 DOUBLE POLE SET	
03	48338	1	ANTI-INTERFERENCE CAPACITOR	
04	107402770	1	OUTLET-KIT	
05	302002052	1	PLUG SOCKET PLATE	
06	302004034	1	SOCKET 16A/250V EU	
06	302004336	1	SOCKET 13A/250V GB	
07	107401443	1	PCB 220-240V NO SR	
08	107402769	1	HANDLE-KIT	
09	302004032	1	SCREW PT35X18	
10	302004030	2	STRAP FOR CABLE	
11	61129	1	POWER CORD H05VV-F3G1.5X5	[1]
11	61130	1	POWERCORD H05VV-F 3G1.5X5.7M C	[2]
12	302004029	18	SCREW PT50X18	
13	107402768	1	MOUNTINGPLATE-KIT	
14	107409129	1	PC FLAP - KIT	
15	909100083	1	TORSION SPRING D0.9X18X45 INOX	
16	107406173	1	MOTOR KIT 1400W	
17	302002427	1	FILTER SUPPORT CAGE WITH FLOAT	
18	107402338	1	WET AND DRY FILTER MULTI	
19	302002042	1	FILTER TENSION DISC D184X45	
20	107407705	1	DEFLECTOR PLATE KIT	

Part Notes:

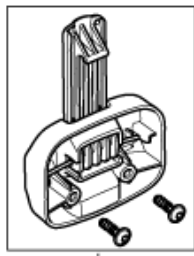
- [1] - UK
 [2] - EU



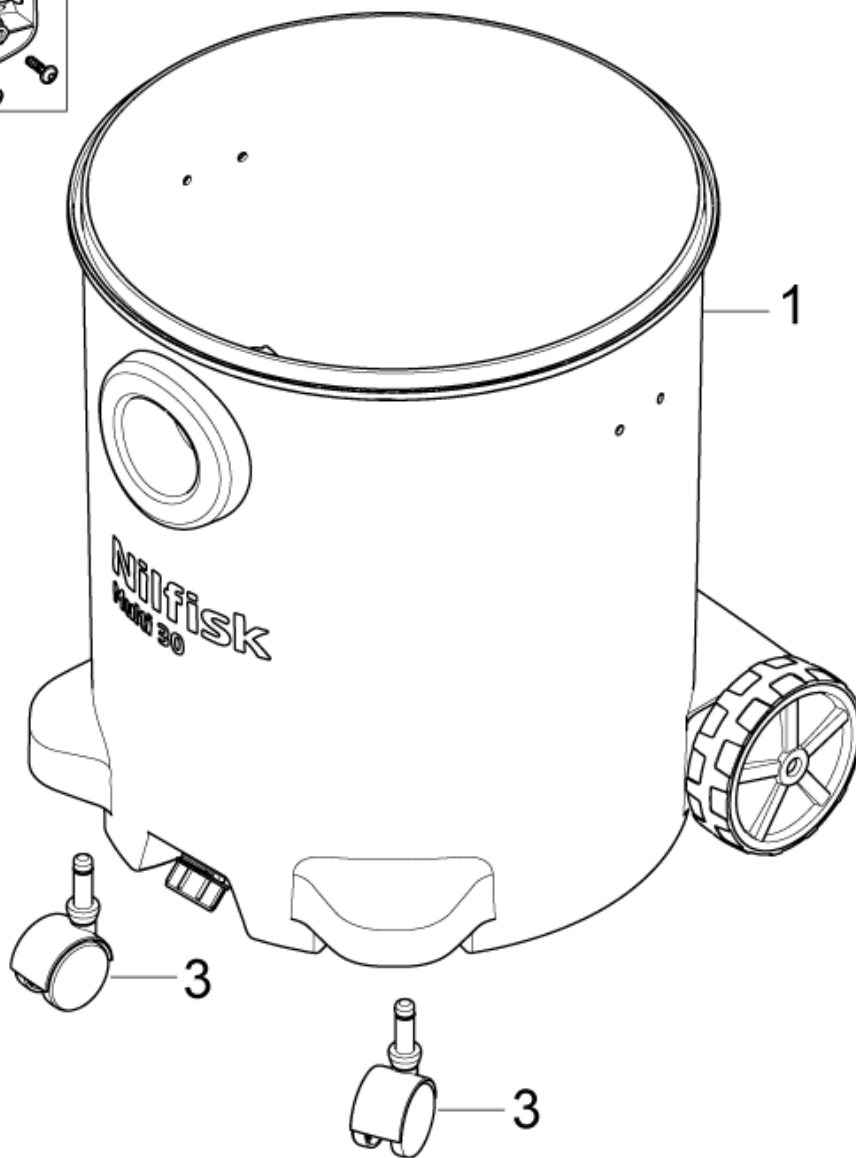
No.	Part No.	Qty.	Description	Part Note
01	107402767	1	Motorkopfabdeckung MULTI	
02	107404541	1	SWITCH 1-0-2 DOUBLE POLE SET	
03	107401447	1	SPEED REGULATION	
04	107402770	1	OUTLET-KIT	
05	302004336	1	SOCKET 13A/250V GB	
05	302004034	1	SOCKET 16A/250V EU	
06	302002052	1	PLUG SOCKET PLATE	
07	107401446	1	PCB 220-240V SPEED REGULATION	
08	107402769	1	HANDLE-KIT	
09	302004032	1	SCREW PT35X18	
10	302004030	1	STRAP FOR CABLE	
11	61130	1	POWERCORD H05VV-F 3G1.5X5.7M C	[1]
11	61129	1	POWER CORD H05VV-F3G1.5X5	[2]
12	302004029	18	SCREW PT50X18	
13	107402768	1	MOUNTINGPLATE-KIT	
14	107409129	1	PC FLAP - KIT	
15	909100083	1	TORSION SPRING D0.9X18X45 INOX	
16	107406173	1	MOTOR KIT 1400W	
17	302002427	1	FILTER SUPPORT CAGE WITH FLOAT	
18	107402338	1	WET AND DRY FILTER MULTI	
19	302002042	1	FILTER TENSION DISC D184X45	
20	107407705	1	DEFLECTOR PLATE KIT	

Part Notes:

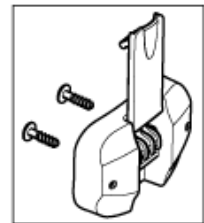
- [1] - EU
[2] - UK



2



1

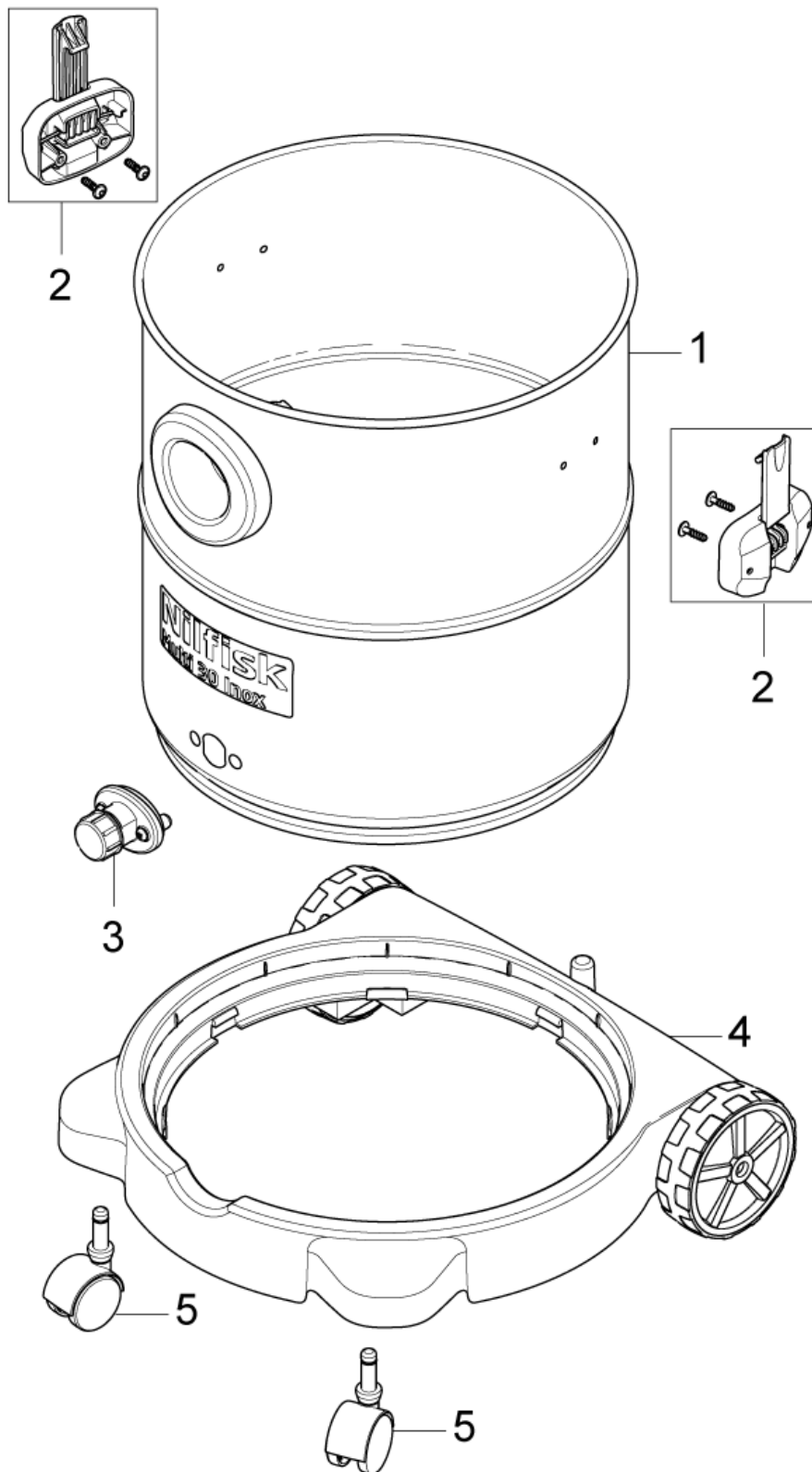


2

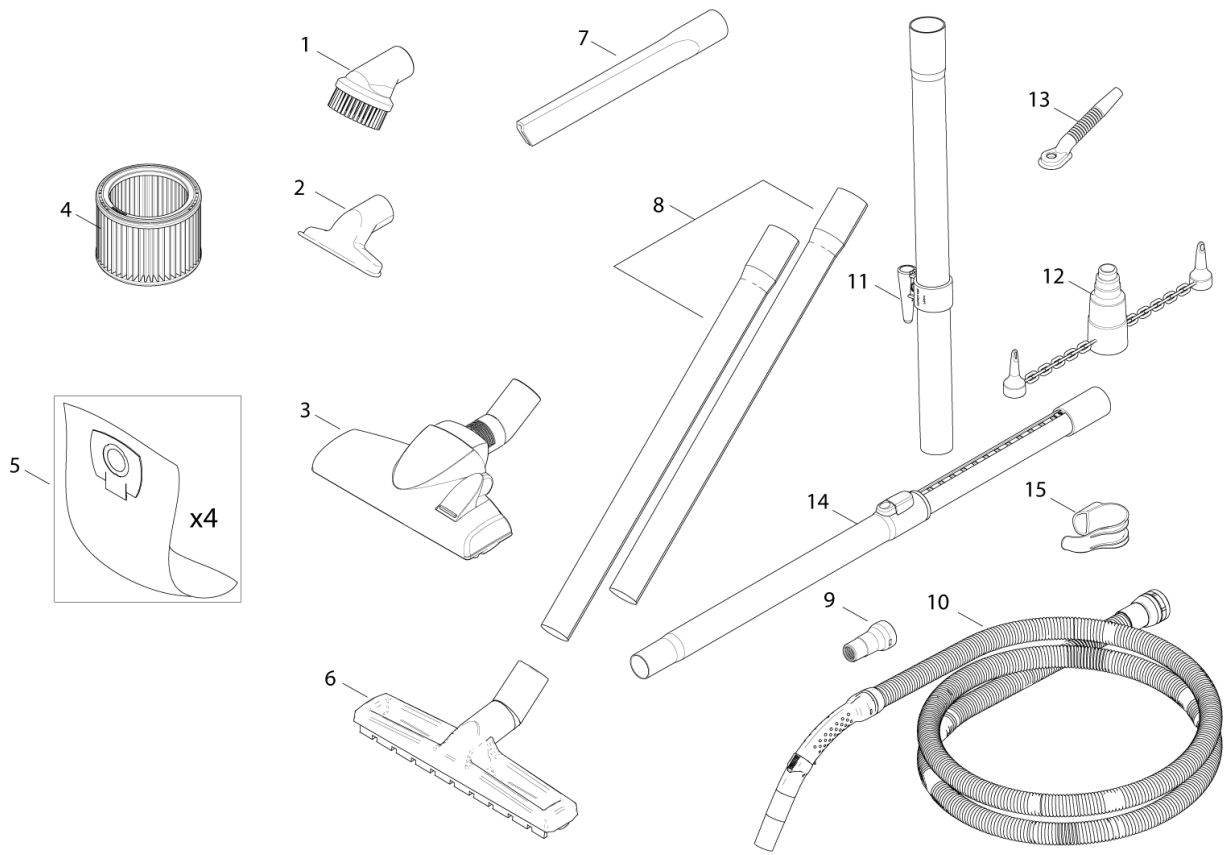
3

3

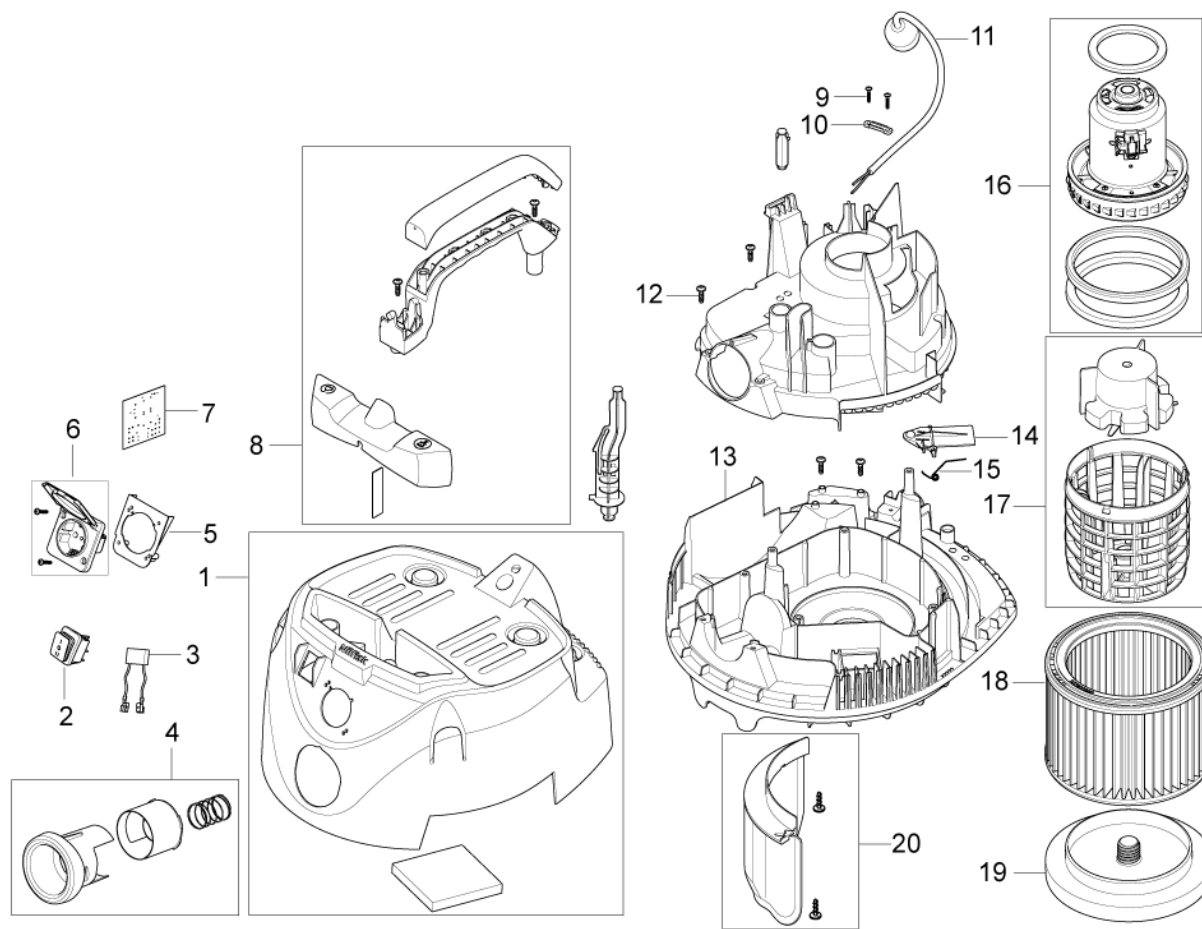
No.	Part No.	Qty.	Description	Part Note
01	107402776	1	CONTAINER 30L -KIT	
02	107402779	1	CLAMP -KIT	
03	107402777	2	CASTOR -KIT	



No.	Part No.	Qty.	Description	Part Note
01	107402798	1	CONTAINER 30L INOX -KIT	
02	107402779	1	CLAMP -KIT	
03	107401456	1	DRAINVALVE KIT	
04	107402778	1	CONTAINER RING WITH WHEEL -KIT	
05	107402777	2	CASTOR -KIT	



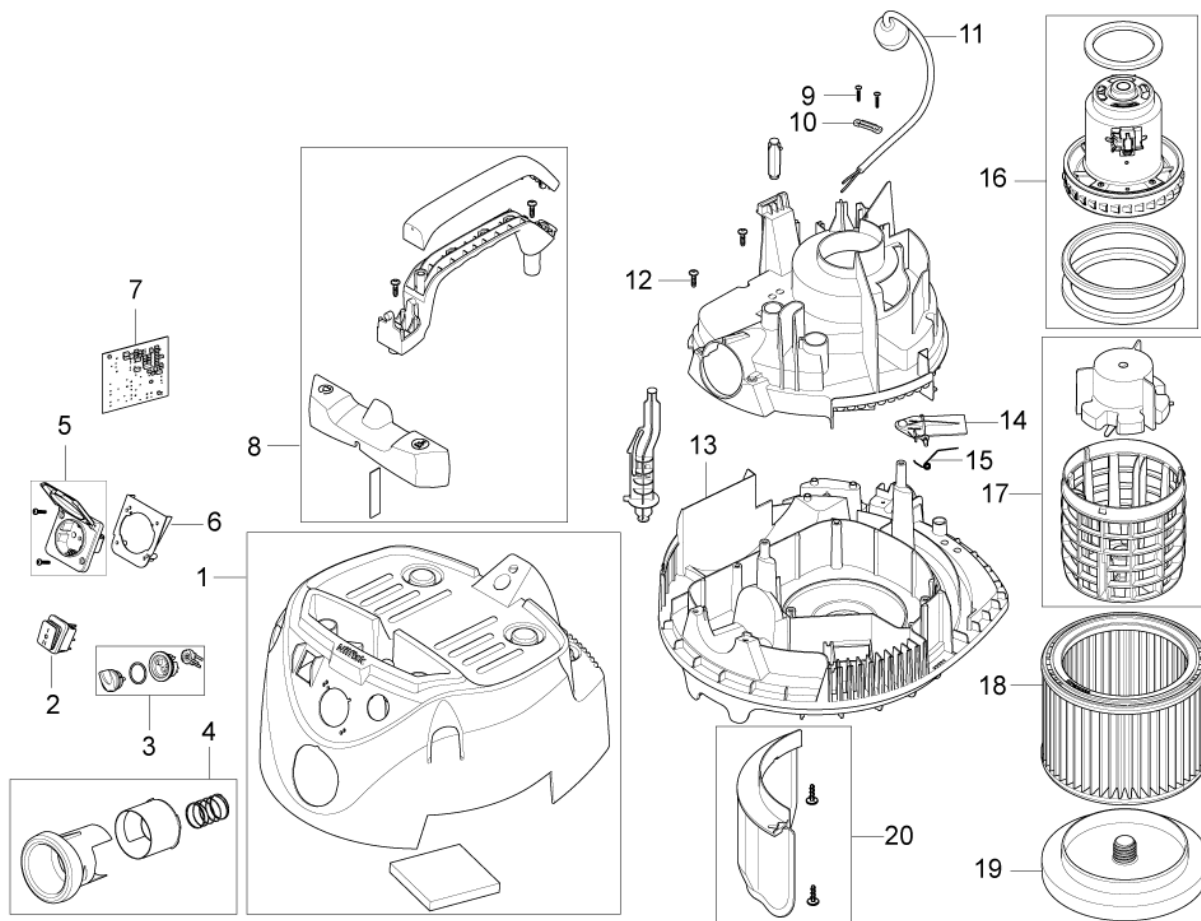
No.	Part No.	Qty.	Description	Part Note
01	302002509	1	SUCTION BRUSH D36 BLACK	
02	14295	1	UNIVERSAL NOZZLE D36X115	
03	302002365	1	COMBI NOZZLE Ø36X260MM	
04	107402338	1	WET AND DRY FILTER MULTI	
05	107402336	1	DUST BAG 4 PCS MULTI	
06	107402706	1	FLOOR NOZZLE D36x300MM W/D KIT	
07	29541	1	CREVICE NOZZLE D36X200	
08	107400032	1	EXTENSION TUBE D36 2X500MM ALU	
08	40696	1	EXTENSION TUBE D36 2X515MM PLASTIC	
09	302002356	1	TOOL ADAPTER	
10	107405600	1	SUCTION HOSE D32x1900 CPL.	
10	107405599	1	SUCTION HOSE D32X2500 CPL.	
10	107406115	1	SUCTION HOSE D32X3500 CPL.	
11	107402773	1	TUBE HOLDER TELESCOPIC -KIT	
11	107402774	1	TUBE HOLDER AL/PLASTIC -KIT	
12	107402483	1	BLOW NOZZLE KIT	
13	107402478	1	WALL DRILL KIT	
14	107402705	1	TELESCOPIC TUBE PLAST.-KIT	
15	107402799	1	HOOK -KIT	



No.	Part No.	Qty.	Description	Part Note
01	107402766	1	COVER FC FOR SOCKET -KIT	
02	107404541	1	SWITCH 1-0-2 DOUBLE POLE SET	
03	48338	1	ANTI-INTERFERENCE CAPACITOR	
04	107402770	1	OUTLET-KIT	
05	302002052	1	PLUG SOCKET PLATE	
06	302004034	1	SOCKET 16A/250V EU	
06	302004336	1	SOCKET 13A/250V GB	
07	107401443	1	PCB 220-240V NO SR	
08	107402769	1	HANDLE-KIT	
09	302004032	1	SCREW PT35X18	
10	302004030	2	STRAP FOR CABLE	
11	61129	1	POWER CORD H05VV-F3G1.5X5	[1]
11	61130	1	POWERCORD H05VV-F 3G1.5X5.7M C	[2]
12	302004029	18	SCREW PT50X18	
13	107402768	1	MOUNTINGPLATE-KIT	
14	107409129	1	PC FLAP - KIT	
15	909100083	1	TORSION SPRING D0.9X18X45 INOX	
16	107406173	1	MOTOR KIT 1400W	
17	302002427	1	FILTER SUPPORT CAGE WITH FLOAT	
18	107402338	1	WET AND DRY FILTER MULTI	
19	302002042	1	FILTER TENSION DISC D184X45	
20	107407705	1	DEFLECTOR PLATE KIT	

Part Notes:

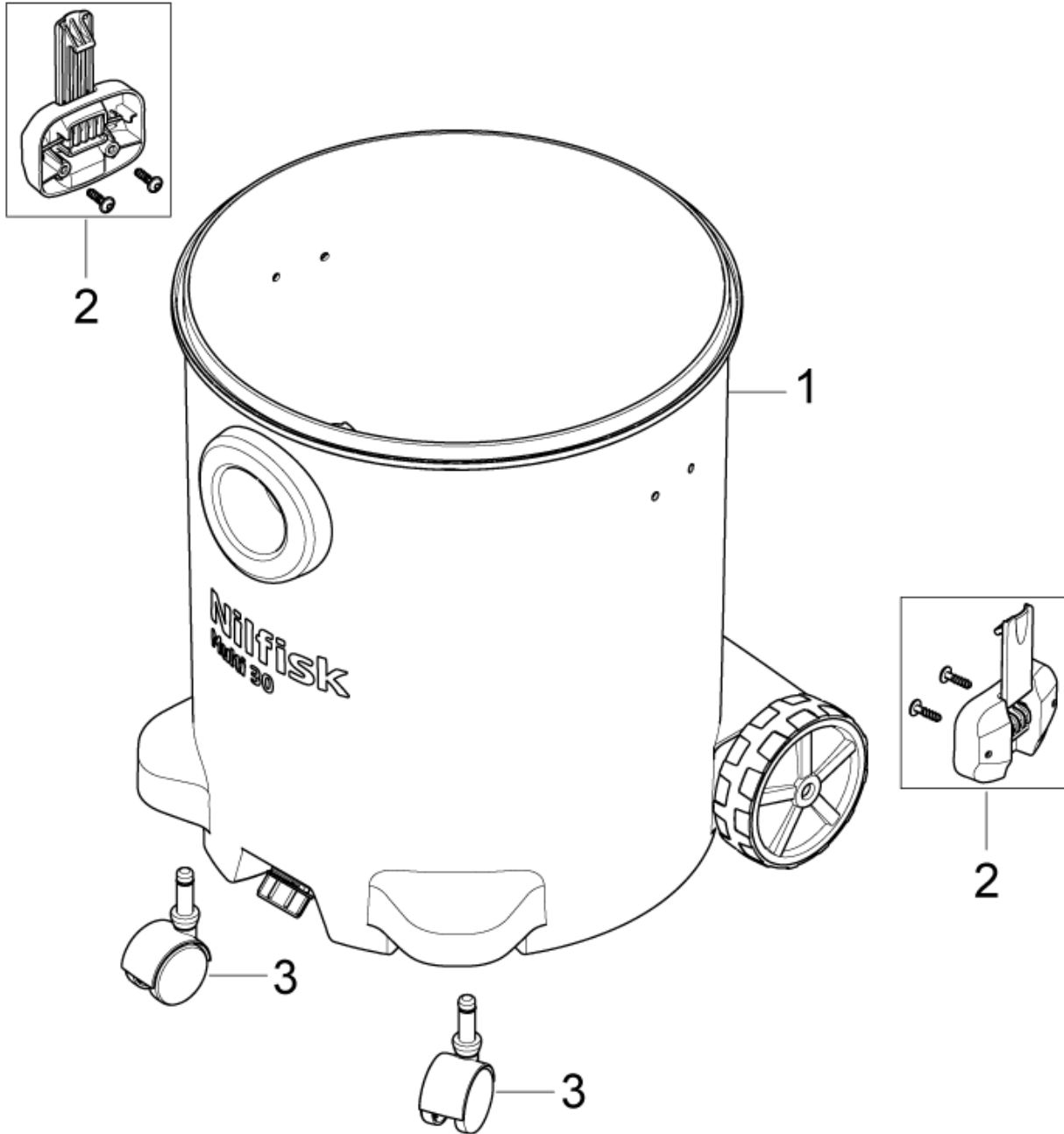
- [1] - UK
- [2] - EU



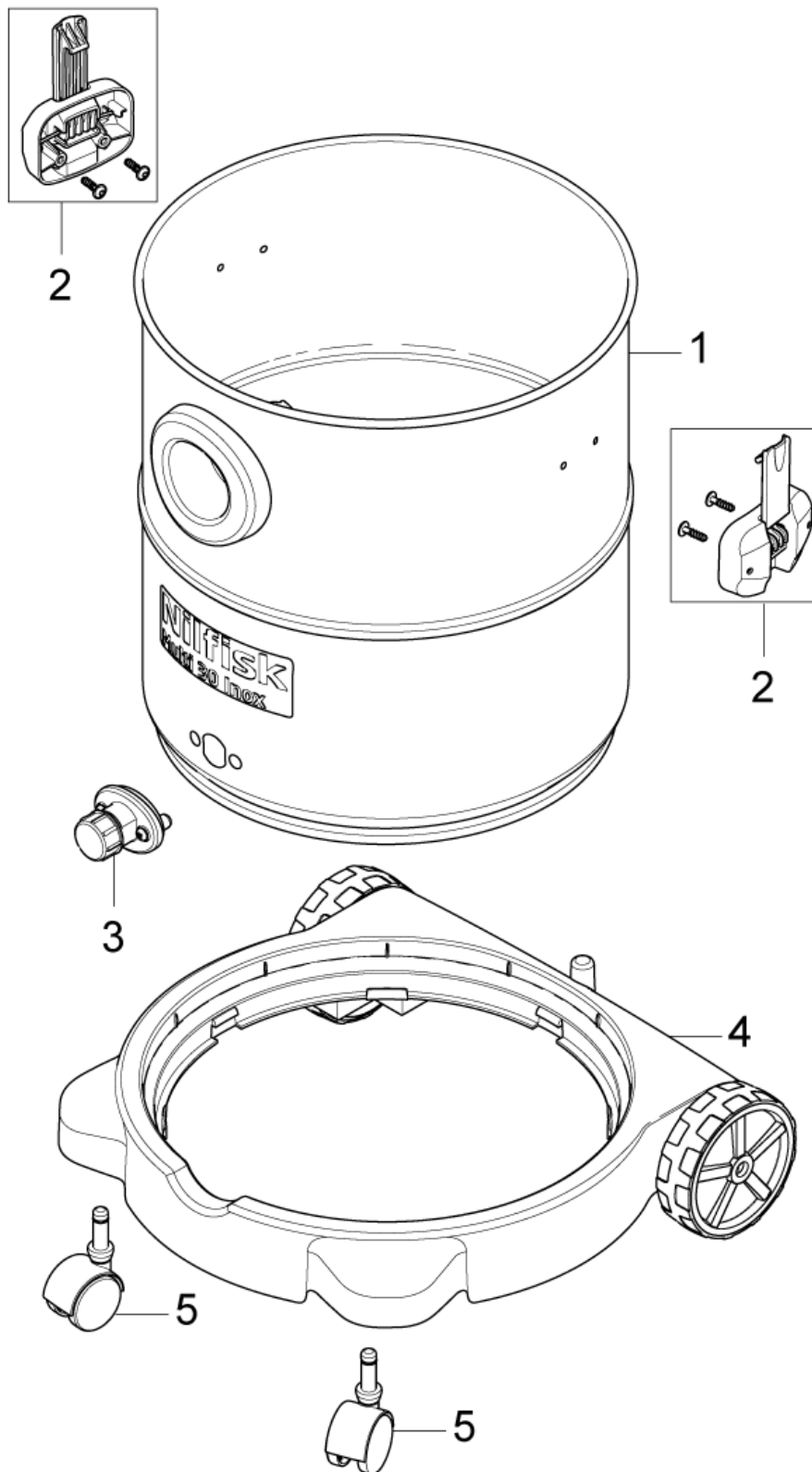
No.	Part No.	Qty.	Description	Part Note
01	107402767	1	Motorkopfabdeckung MULTI	
02	107404541	1	SWITCH 1-0-2 DOUBLE POLE SET	
03	107401447	1	SPEED REGULATION	
04	107402770	1	OUTLET-KIT	
05	302004336	1	SOCKET 13A/250V GB	
05	302004034	1	SOCKET 16A/250V EU	
06	302002052	1	PLUG SOCKET PLATE	
07	107401446	1	PCB 220-240V SPEED REGULATION	
08	107402769	1	HANDLE-KIT	
09	302004032	1	SCREW PT35X18	
10	302004030	1	STRAP FOR CABLE	
11	61130	1	POWERCORD H05VV-F 3G1.5X5.7M C	[1]
11	61129	1	POWER CORD H05VV-F3G1.5X5	[2]
12	302004029	18	SCREW PT50X18	
13	107402768	1	MOUNTINGPLATE-KIT	
14	107409129	1	PC FLAP - KIT	
15	909100083	1	TORSION SPRING D0.9X18X45 INOX	
16	107406173	1	MOTOR KIT 1400W	
17	302002427	1	FILTER SUPPORT CAGE WITH FLOAT	
18	107402338	1	WET AND DRY FILTER MULTI	
19	302002042	1	FILTER TENSION DISC D184X45	
20	107407705	1	DEFLECTOR PLATE KIT	

Part Notes:

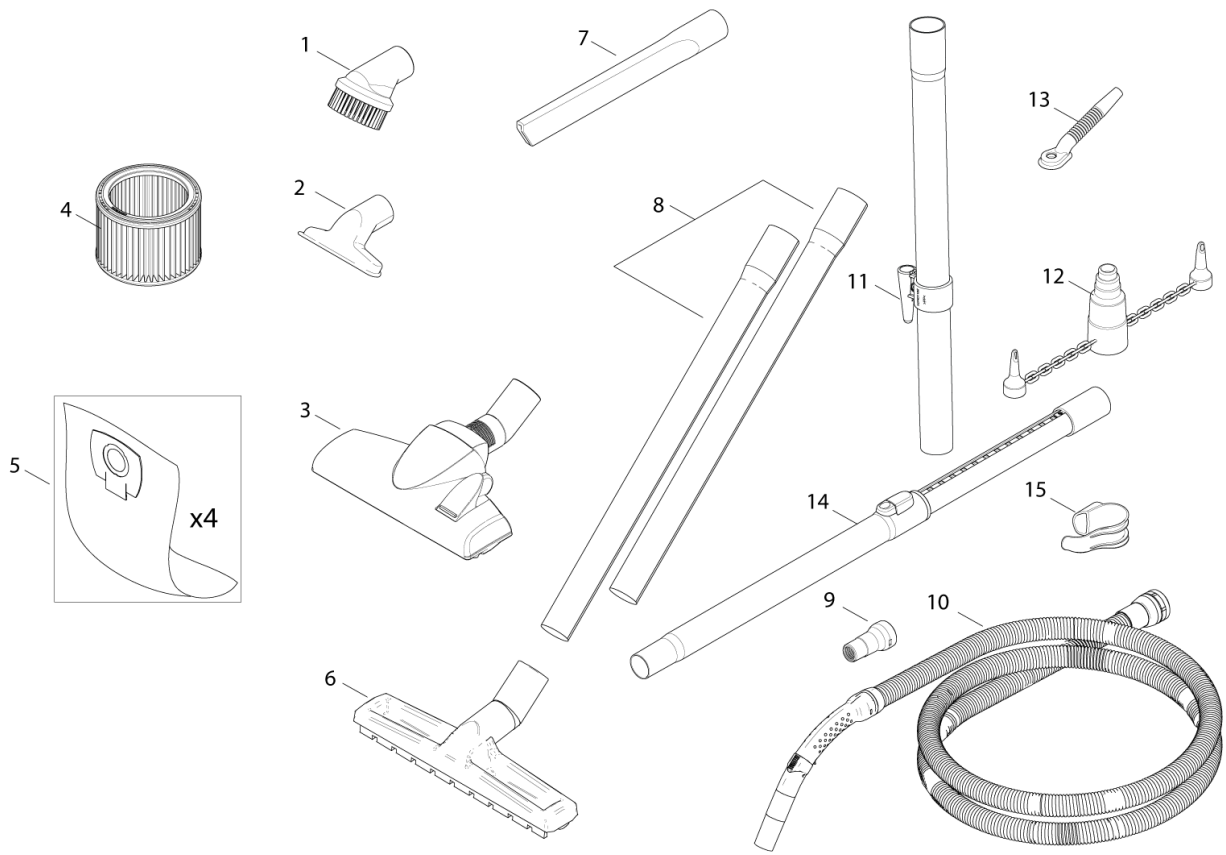
- [1] - EU
[2] - UK



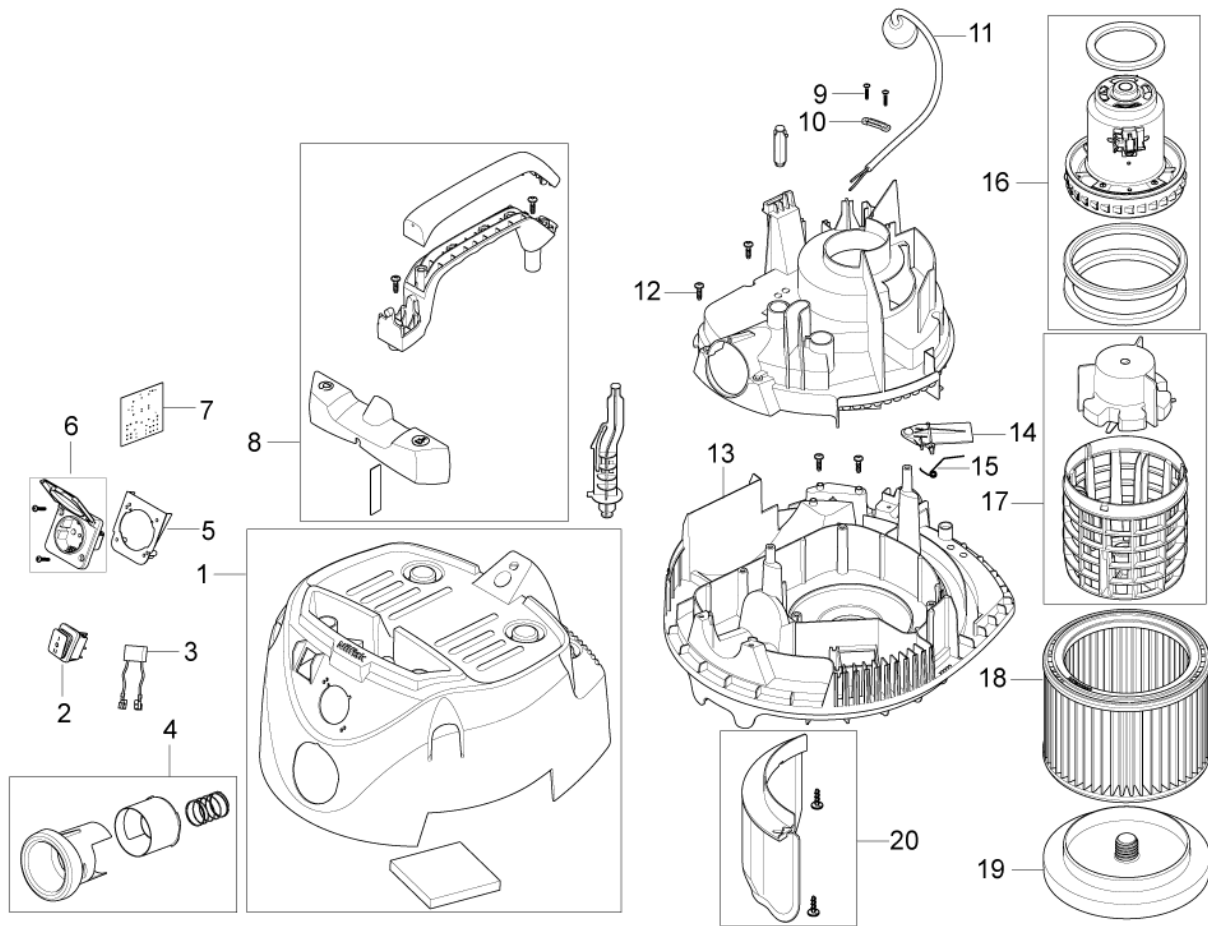
No.	Part No.	Qty.	Description	Part Note
01	107402776	1	CONTAINER 30L -KIT	
02	107402779	1	CLAMP -KIT	
03	107402777	2	CASTOR -KIT	



No.	Part No.	Qty.	Description	Part Note
01	107402798	1	CONTAINER 30L INOX -KIT	
02	107402779	1	CLAMP -KIT	
03	107401456	1	DRAINVALVE KIT	
04	107402778	1	CONTAINER RING WITH WHEEL -KIT	
05	107402777	2	CASTOR -KIT	



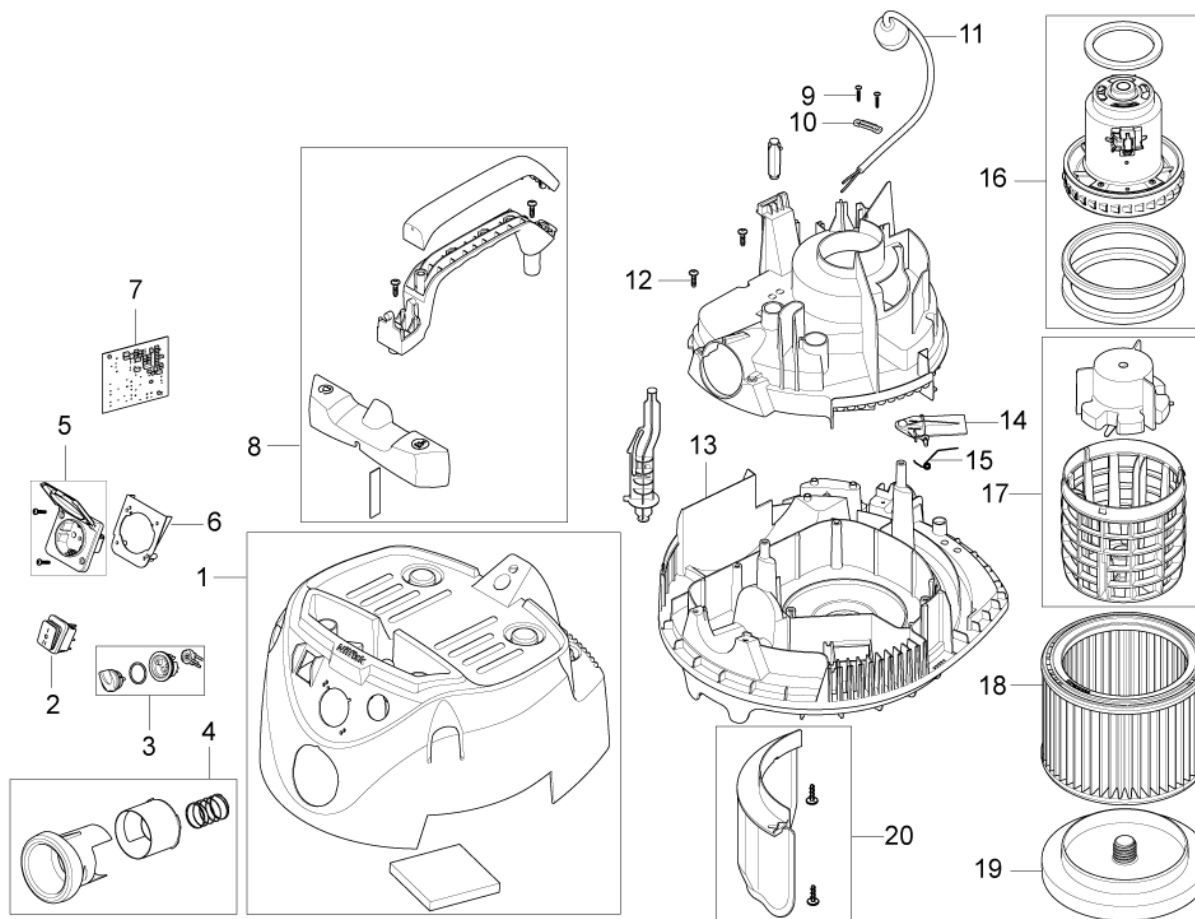
No.	Part No.	Qty.	Description	Part Note
01	302002509	1	SUCTION BRUSH D36 BLACK	
02	14295	1	UNIVERSAL NOZZLE D36X115	
03	302002365	1	COMBI NOZZLE Ø36X260MM	
04	107402338	1	WET AND DRY FILTER MULTI	
05	107402336	1	DUST BAG 4 PCS MULTI	
06	107402706	1	FLOOR NOZZLE D36x300MM W/D KIT	
07	29541	1	CREVICE NOZZLE D36X200	
08	107400032	1	EXTENSION TUBE D36 2X500MM ALU	
08	40696	1	EXTENSION TUBE D36 2X515MM PLASTIC	
09	302002356	1	TOOL ADAPTER	
10	107405600	1	SUCTION HOSE D32x1900 CPL.	
10	107405599	1	SUCTION HOSE D32X2500 CPL.	
10	107406115	1	SUCTION HOSE D32X3500 CPL.	
11	107402773	1	TUBE HOLDER TELESCOPIC -KIT	
11	107402774	1	TUBE HOLDER AL/PLASTIC -KIT	
12	107402483	1	BLOW NOZZLE KIT	
13	107402478	1	WALL DRILL KIT	
14	107402705	1	TELESCOPIC TUBE PLAST.-KIT	
15	107402799	1	HOOK -KIT	



No.	Part No.	Qty.	Description	Part Note
01	107402766	1	COVER FC FOR SOCKET -KIT	
02	107404541	1	SWITCH 1-0-2 DOUBLE POLE SET	
03	48338	1	ANTI-INTERFERENCE CAPACITOR	
04	107402770	1	OUTLET-KIT	
05	302002052	1	PLUG SOCKET PLATE	
06	302004034	1	SOCKET 16A/250V EU	
06	302004336	1	SOCKET 13A/250V GB	
07	107401443	1	PCB 220-240V NO SR	
08	107402769	1	HANDLE-KIT	
09	302004032	1	SCREW PT35X18	
10	302004030	2	STRAP FOR CABLE	
11	61129	1	POWER CORD H05VV-F3G1.5X5	[1]
11	61130	1	POWERCORD H05VV-F 3G1.5X5.7M C	[2]
12	302004029	18	SCREW PT50X18	
13	107402768	1	MOUNTINGPLATE-KIT	
14	107409129	1	PC FLAP - KIT	
15	909100083	1	TORSION SPRING D0.9X18X45 INOX	
16	107406173	1	MOTOR KIT 1400W	
17	302002427	1	FILTER SUPPORT CAGE WITH FLOAT	
18	107402338	1	WET AND DRY FILTER MULTI	
19	302002042	1	FILTER TENSION DISC D184X45	
20	107407705	1	DEFLECTOR PLATE KIT	

Part Notes:

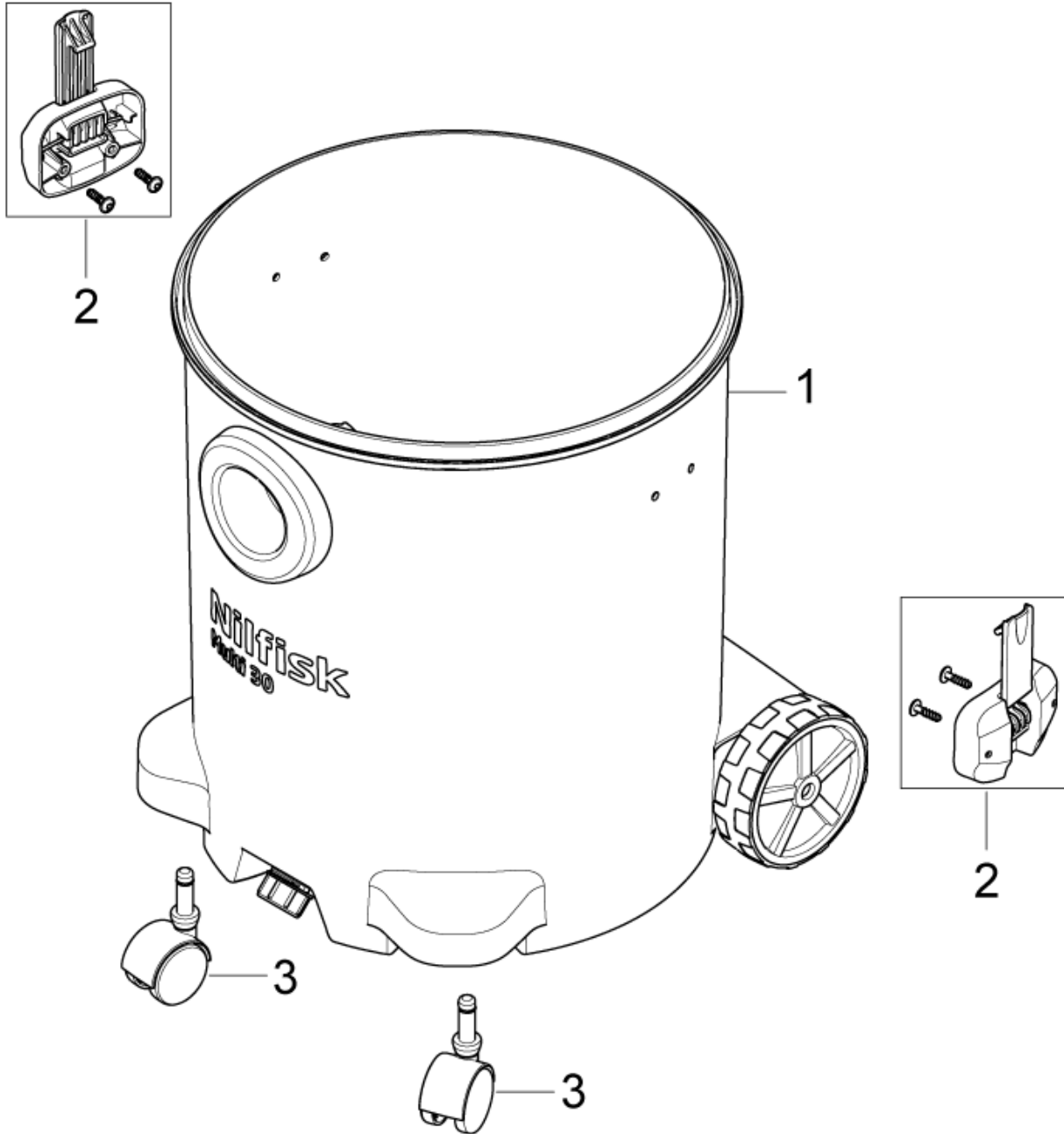
- [1] - UK
 [2] - EU



No.	Part No.	Qty.	Description	Part Note
01	107402767	1	Motorkopfabdeckung MULTI	
02	107404541	1	SWITCH 1-0-2 DOUBLE POLE SET	
03	107401447	1	SPEED REGULATION	
04	107402770	1	OUTLET-KIT	
05	302004336	1	SOCKET 13A/250V GB	
05	302004034	1	SOCKET 16A/250V EU	
06	302002052	1	PLUG SOCKET PLATE	
07	107401446	1	PCB 220-240V SPEED REGULATION	
08	107402769	1	HANDLE-KIT	
09	302004032	1	SCREW PT35X18	
10	302004030	1	STRAP FOR CABLE	
11	61130	1	POWERCORD H05VV-F 3G1.5X5.7M C	[1]
11	61129	1	POWER CORD H05VV-F3G1.5X5	[2]
12	302004029	18	SCREW PT50X18	
13	107402768	1	MOUNTINGPLATE-KIT	
14	107409129	1	PC FLAP - KIT	
15	909100083	1	TORSION SPRING D0.9X18X45 INOX	
16	107406173	1	MOTOR KIT 1400W	
17	302002427	1	FILTER SUPPORT CAGE WITH FLOAT	
18	107402338	1	WET AND DRY FILTER MULTI	
19	302002042	1	FILTER TENSION DISC D184X45	
20	107407705	1	DEFLECTOR PLATE KIT	

Part Notes:

- [1] - EU
[2] - UK



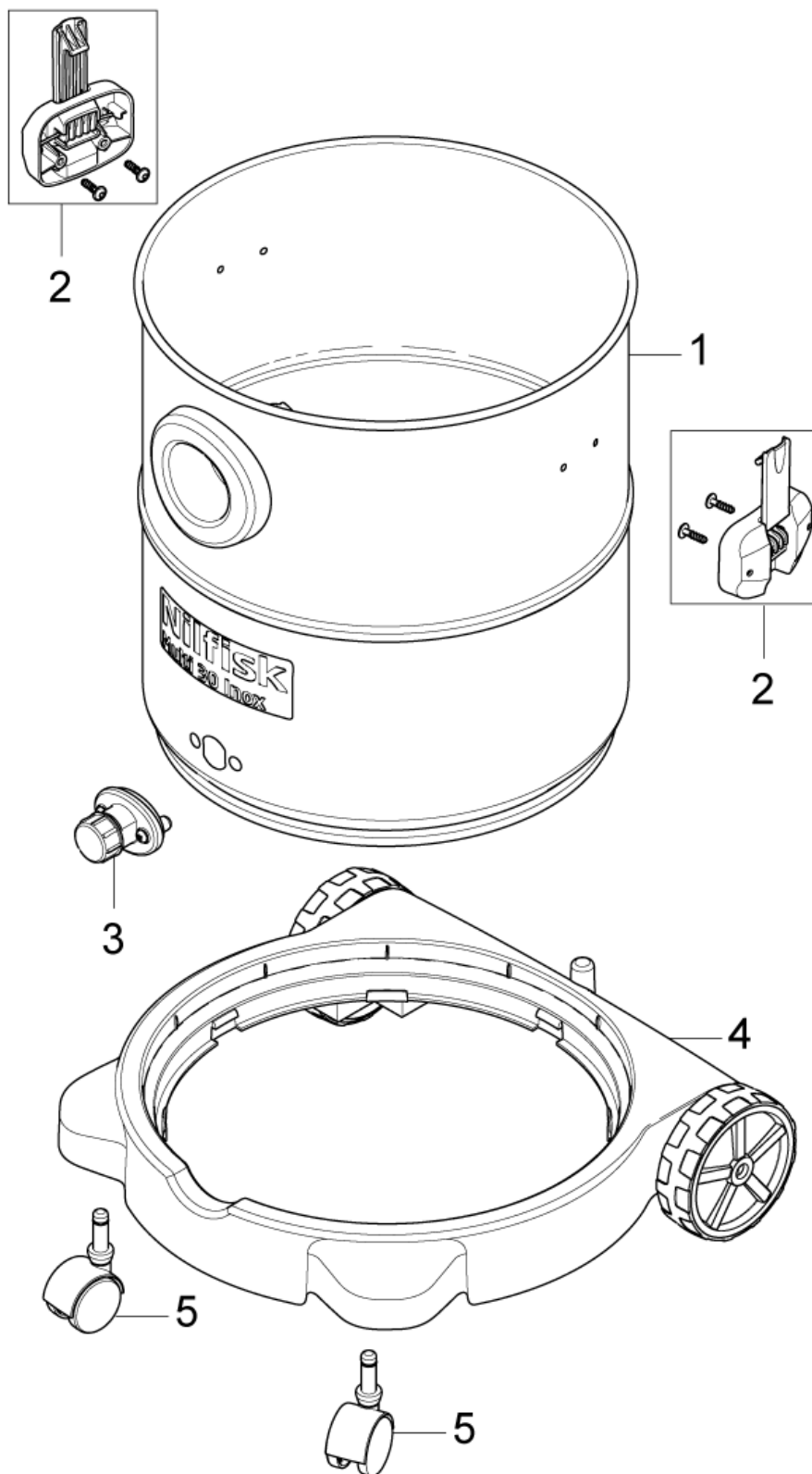
Container L30

Nilfisk Multi 30 T VSC INOX

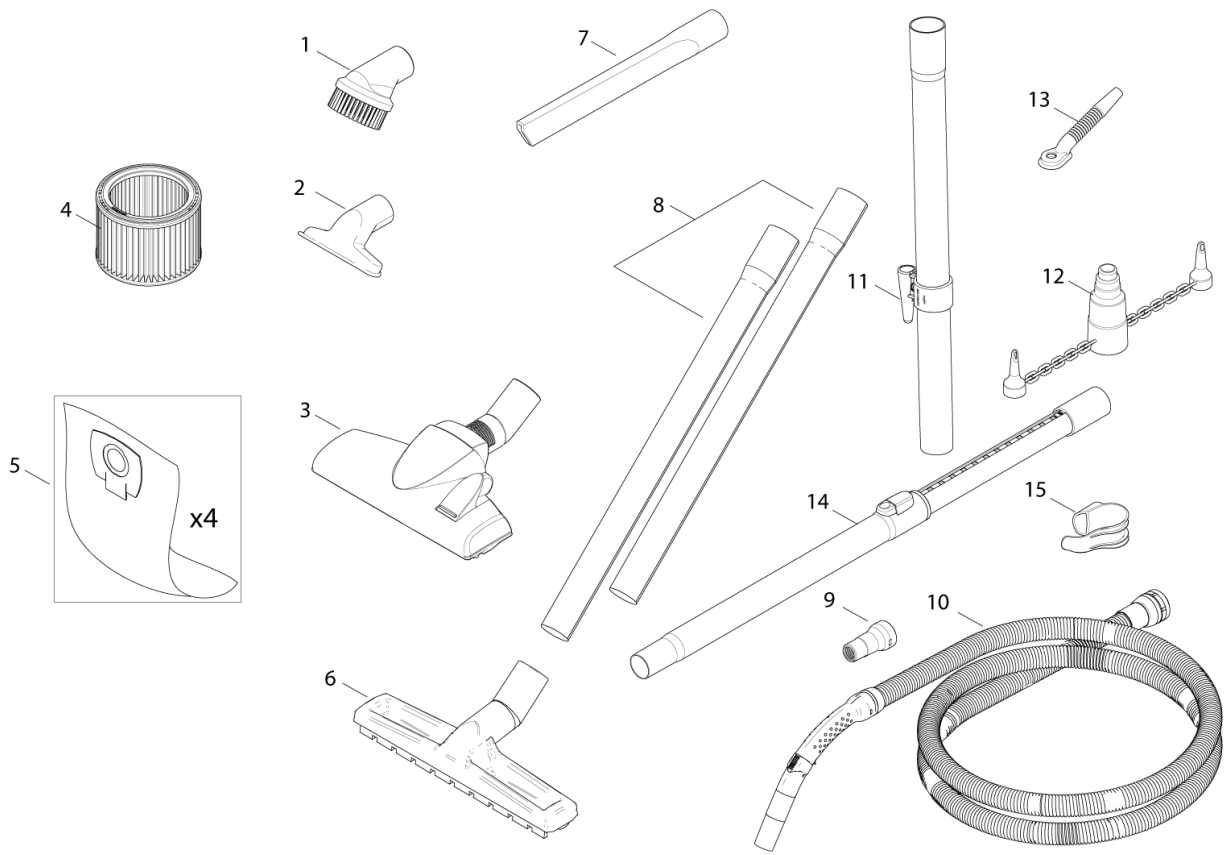
2015.05.19

2013.04.02

No.	Part No.	Qty.	Description	Part Note
01	107402776	1	CONTAINER 30L -KIT	
02	107402779	1	CLAMP -KIT	
03	107402777	2	CASTOR -KIT	



No.	Part No.	Qty.	Description	Part Note
01	107402798	1	CONTAINER 30L INOX -KIT	
02	107402779	1	CLAMP -KIT	
03	107401456	1	DRAINVALVE KIT	
04	107402778	1	CONTAINER RING WITH WHEEL -KIT	
05	107402777	2	CASTOR -KIT	



No.	Part No.	Qty.	Description	Part Note
01	302002509	1	SUCTION BRUSH D36 BLACK	
02	14295	1	UNIVERSAL NOZZLE D36X115	
03	302002365	1	COMBI NOZZLE Ø36X260MM	
04	107402338	1	WET AND DRY FILTER MULTI	
05	107402336	1	DUST BAG 4 PCS MULTI	
06	107402706	1	FLOOR NOZZLE D36x300MM W/D KIT	
07	29541	1	CREVICE NOZZLE D36X200	
08	107400032	1	EXTENSION TUBE D36 2X500MM ALU	
08	40696	1	EXTENSION TUBE D36 2X515MM PLASTIC	
09	302002356	1	TOOL ADAPTER	
10	107405600	1	SUCTION HOSE D32x1900 CPL.	
10	107405599	1	SUCTION HOSE D32X2500 CPL.	
10	107406115	1	SUCTION HOSE D32X3500 CPL.	
11	107402773	1	TUBE HOLDER TELESCOPIC -KIT	
11	107402774	1	TUBE HOLDER AL/PLASTIC -KIT	
12	107402483	1	BLOW NOZZLE KIT	
13	107402478	1	WALL DRILL KIT	
14	107402705	1	TELESCOPIC TUBE PLAST.-KIT	
15	107402799	1	HOOK -KIT	

