

PARTS LIST

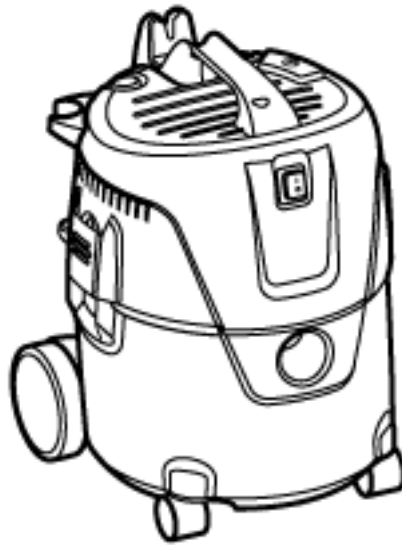
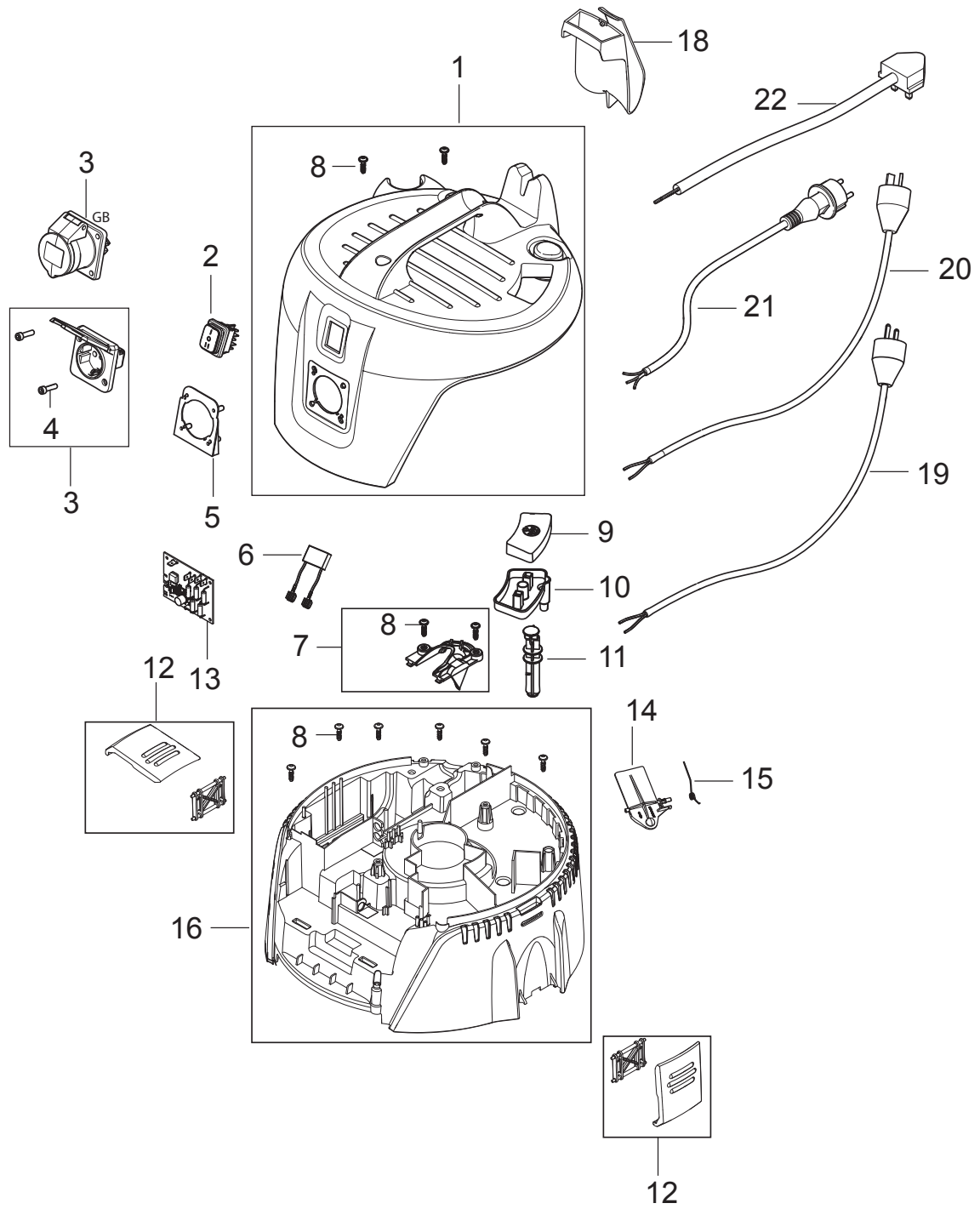


TABLE OF CONTENTS

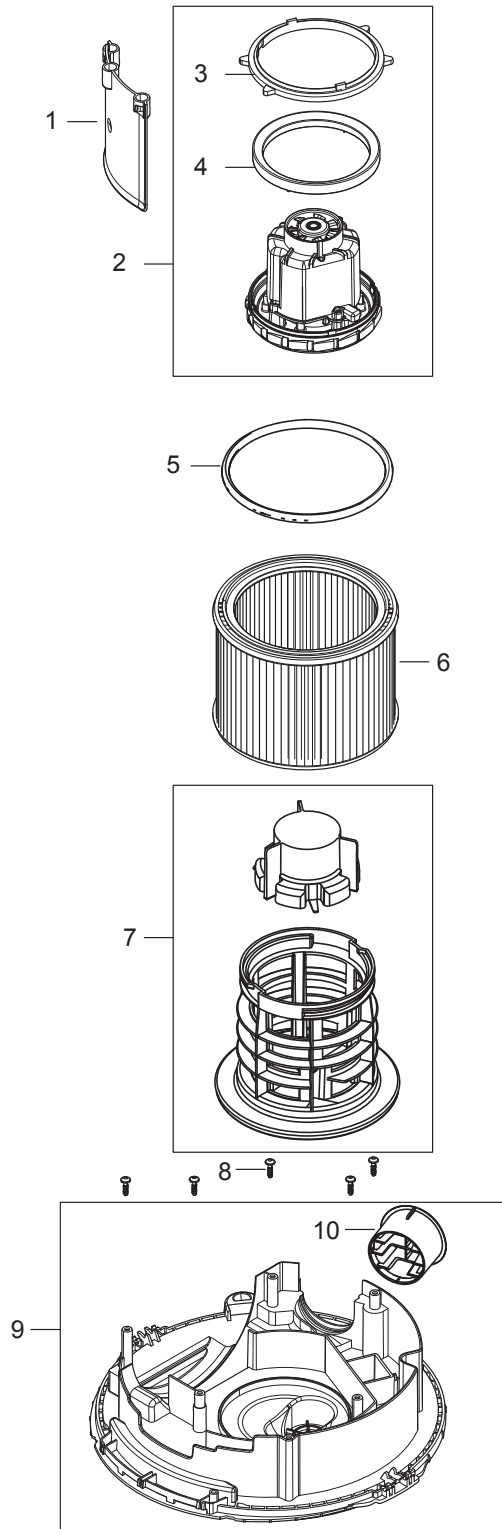
AERO 21-21 PC top	1
Filter and motor	3
AERO container 20L	5
AERO 21 Accessories	7
Recommended spare parts	9



No.	Part No.	Qty.	Description	Part Note
1	107409134	1	AERO 21 HEAD COVER	
2	107409135	1	SWITCH 1-0-TOOL	
3	107400059	1	SOCKET 10A/250V CH	
3	302004034	1	SOCKET 16A/250V EU	
4	302003705	2	SCREW EJOT DELTA PT35X18WN5451	
5	302002052	1	PLUG SOCKET PLATE	
6	107404542	1	ANTI-INTEFERENCE CAPACITOR SET	
7	107409125	1	CABLE OUTLET	
8	302003704	9	SCREW EJOT DELTA PT50X18WN1451	
9	107409183	1	PC BUTTON PP BLACK	
10	107409127	1	PC DRAIN HOUSING	
11	107409128	1	PC ROD BASIC	
12	107409130	2	CLAMP	
13	107409189	1	PCBA CHAMELEON 21 EA 110V	
13	107409188	1	PCBA CHAMELEON 21 EA 230V	
14	107409129	1	PC FLAP - KIT	
15	909100083	1	TORSION SPRING D0.9X18X45 INOX	
16	107409149	1	CLAMPING PLATE	
18	107409981	1	HOSE/CABLE HOOK. AERO 21	
19	61130	1	POWERCORD H05VV-F 3G1.5X5.7M C	[1]
20	302000455	1	POWER CORD SJTW-A AWG18/2X8.25	[2]
21	61132	1	POWERCORD H05VV-F 3G1.0X5.7 SN	[3]
22	61129	1	POWER CORD H05VV-F3G1.5X5	[4]

Part Notes:

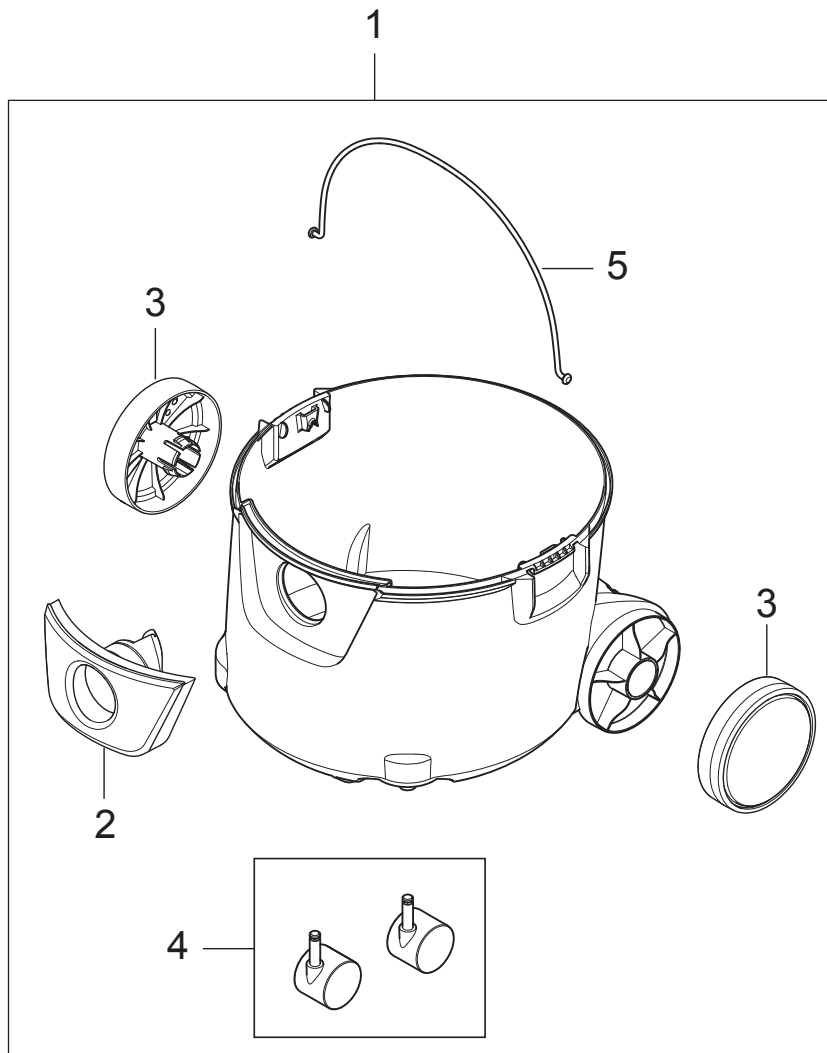
- [1] - EU
- [2] - (US)
- [3] - CH
- [4] - GB (230V)



No.	Part No.	Qty.	Description	Part Note
1	107409159	1	DEFLECTOR SHIELD	
2	107410825	1	MOTOR KIT 1200W 230V/50-60HZ	[1]
2	107409160	1	MOTOR KIT 1000W 220-240V/50-60HZ	
2	107409162	1	MOTOR KIT 1000W 110-120V/50-60HZ	
2	107412971	1	MOTOR 1200W 100V 50/60HZ JP	[2]
3	107409163	1	UPPER MOTOR SEALING	
4	107409164	1	LOWER MOTOR SEALING	
5	107409165	1	SEALING FILTER	
6	302000490	1	FILTER ELEMENT Ø185X140 PET M-CLASS	
7	107402646	1	FILTER SUPPORT CAGE ATTIX/AERO PP	
8	302003704	6	SCREW EJOT DELTA PT50X18WN1451	
9	107409166	1	BASEPLATE WITH OUTLET	
10	107409167	1	OUTLET	

Part Notes:

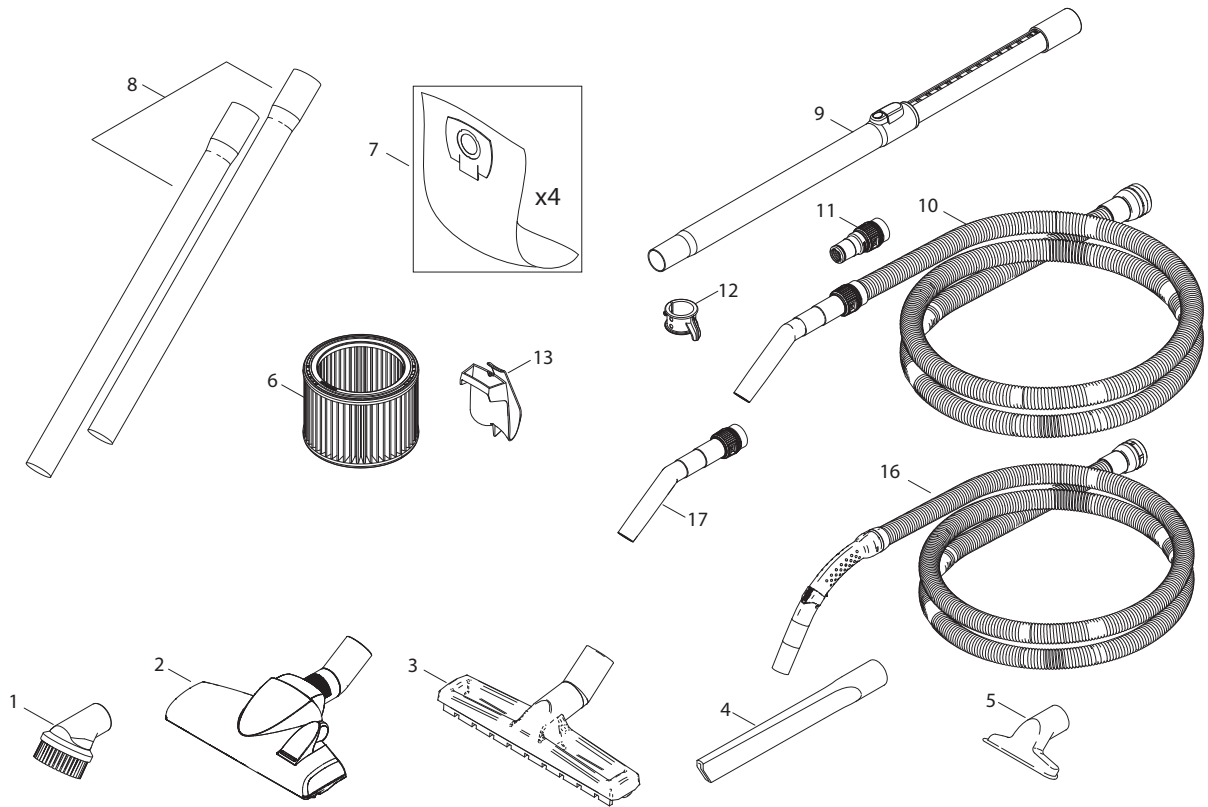
- [1] - AERO 26-2L
[2] - JP 50/60Hz



No.	Part No.	Qty.	Description	Part Note
1	107409168	1	AERO CONTAINER 20L CPL.	
2	107409169	1	INLET FITTING	
3	107409170	2	WHEEL D130	[1]
4	140 6422 500	1	WHEELS LINK 50MM	
5	107409171	1	HANDLE CONTAINER	

Part Notes:

- [1] - TSB-LI-VAC-2015-002 AERO 21-26-31 wheel
DE TSB-LI-VAC-2015-002 AERO 21-26-31 Rad



No.	Part No.	Qty.	Description	Part Note
0	107412601	1	BOX AERO 21 10X	
1	302002509	1	SUCTION BRUSH D36 BLACK	
2	302002365	1	COMBI NOZZLE Ø36X260MM	
3	107402706	1	FLOOR NOZZLE D36x300MM W/D KIT	
3	107407310	1	FLOOR NOZZLE D32 RUBBER STRIP	
3	107407311	1	FLOOR NOZZLE D32 BRUSH	
4	29541	1	CREVICE NOZZLE D36X200	
5	14295	1	UNIVERSAL NOZZLE D36X115	
6	302000490	1	FILTER ELEMENT Ø185X140 PET M-CLASS	
7	302002404	1	FILTER BAG AERO 4 PCS	
8	107400032	1	EXTENSION TUBE D36 2X500MM ALU	
8	302000529	1	EXTENSION TUBE D36 2X505MM ST/CR	
8	40696	1	EXTENSION TUBE D36 2X515MM PLASTIC	
9	107402654	1	TELESCOPIC TUBE D36 575-930MM CR-ST	
9	107402705	1	TELESCOPIC TUBE PLAST.-KIT	
10	107409976	1	UNIV HOSE WITH HAND TUBE D32X3500 CPL.	
11	107409977	1	TOOL ADAPTER WITH SUCTION REGULATION D32	[1]
12	107409978	1	TELESCOPIC TUBE HOLDER KIT D32	
12	107409979	1	TUBE HOLDER KIT D36	
13	107409981	1	HOSE/CABLE HOOK. AERO 21	
16	107405599	1	SUCTION HOSE D32X2500 CPL.	[1]
16	107405600	1	SUCTION HOSE D32x1900 CPL.	[1]
16	107406115	1	SUCTION HOSE D32X3500 CPL.	[1]
16	107418980	1	UNIV HOSE KIT D32X3500 W. TOOL ADAPTER	[2]
17	107413340	1	BENT END - ASSY - KIT	[1]

Part Notes:

- [1] - TSB-LI-VACS-2017-01 - AERO+ATTIX hose
DE TSB-LI-VACS-2017-01 AERO+ATTIX Click-System Saugschlauch
- [2] - Include hose and adapter 107409977

Recommended spare parts

AERO 21-21

2015.05.19

2013.09.02

No.	Part No.	Qty.	Description	Part Note
1	107400032	1	EXTENSION TUBE D36 2X500MM ALU	
2	107400059	1	SOCKET 10A/250V CH	
3	107402654	1	TELESCOPIC TUBE D36 575-930MM CR-ST	
4	107402705	1	TELESCOPIC TUBE PLAST.-KIT	
5	107402706	1	FLOOR NOZZLE D36x300MM W/D KIT	
6	107404540	1	SWITCH 0-1 DOUBLE POLE SET	
7	107404542	1	ANTI-INTEFERENCE CAPACITOR SET	
8	107405599	1	SUCTION HOSE D32X2500 CPL.	
9	107405600	1	SUCTION HOSE D32x1900 CPL.	
10	107406115	1	SUCTION HOSE D32X3500 CPL.	
11	107407310	1	FLOOR NOZZLE D32 RUBBER STRIP	
12	107407311	1	FLOOR NOZZLE D32 BRUSH	
13	107409130	1	CLAMP	
14	107409135	1	SWITCH 1-0-TOOL	
15	107409188	1	PCBA CHAMELEON 21 EA 230V	
16	107409160	1	MOTOR KIT 1000W 220-240V/50-60HZ	
18	107409162	1	MOTOR KIT 1000W 110-120V/50-60HZ	
19	107409163	1	UPPER MOTOR SEALING	
20	107409164	1	LOWER MNOTOR SEALING	
21	107409165	1	SEALING FILTER	
22	107409173	1	INLET GASKET	
23	107402646	1	FILTER SUPPORT CAGE ATTIX/AERO PP	
24	107409976	1	UNIV HOSE WITH HAND TUBE D32X3500 CPL.	
25	107409977	1	TOOL ADAPTER WITH SUCTION REGULATION D32	
26	107409978	1	TELESCOPIC TUBE HOLDER KIT D32	
27	107409979	1	TUBE HOLDER KIT D36	
28	140 6422 500	1	WHEELS LINK 50MM	
29	14295	1	UNIVERSAL NOZZLE D36X115	
30	29541	1	CREVICE NOZZLE D36X200	
31	302000490	1	FILTER ELEMENT Ø185X140 PET M-CLASSFILTER ELEMENT 185X140 PET M-CLASS	
32	302000529	1	EXTENSION TUBE D36 2X505MM ST/CR	
33	302000882	1	POWER CORD SJTW-AWG16/3X8	
34	302002052	1	PLUG SOCKET PLATE	
35	302002365	1	COMBI NOZZLE Ø36X260MM	
36	302002394	1	POWERCORD H05VV-F 2X0.75X5.7M	
37	302002404	1	FILTER BAG AERO 4 PCSFILTER BAG AERO 4 PCS	
38	302002509	1	SUCTION BRUSH D36 BLACK	
39	302004034	1	SOCKET 16A/250V EU	
40	40696	1	EXTENSION TUBE D36 2X515MM PLASTIC	
41	61130	1	POWERCORD H05VV-F 3G1.5X5.7M C	
42	909100083	1	TORSION SPRING D0.9X18X45 INOX	

