

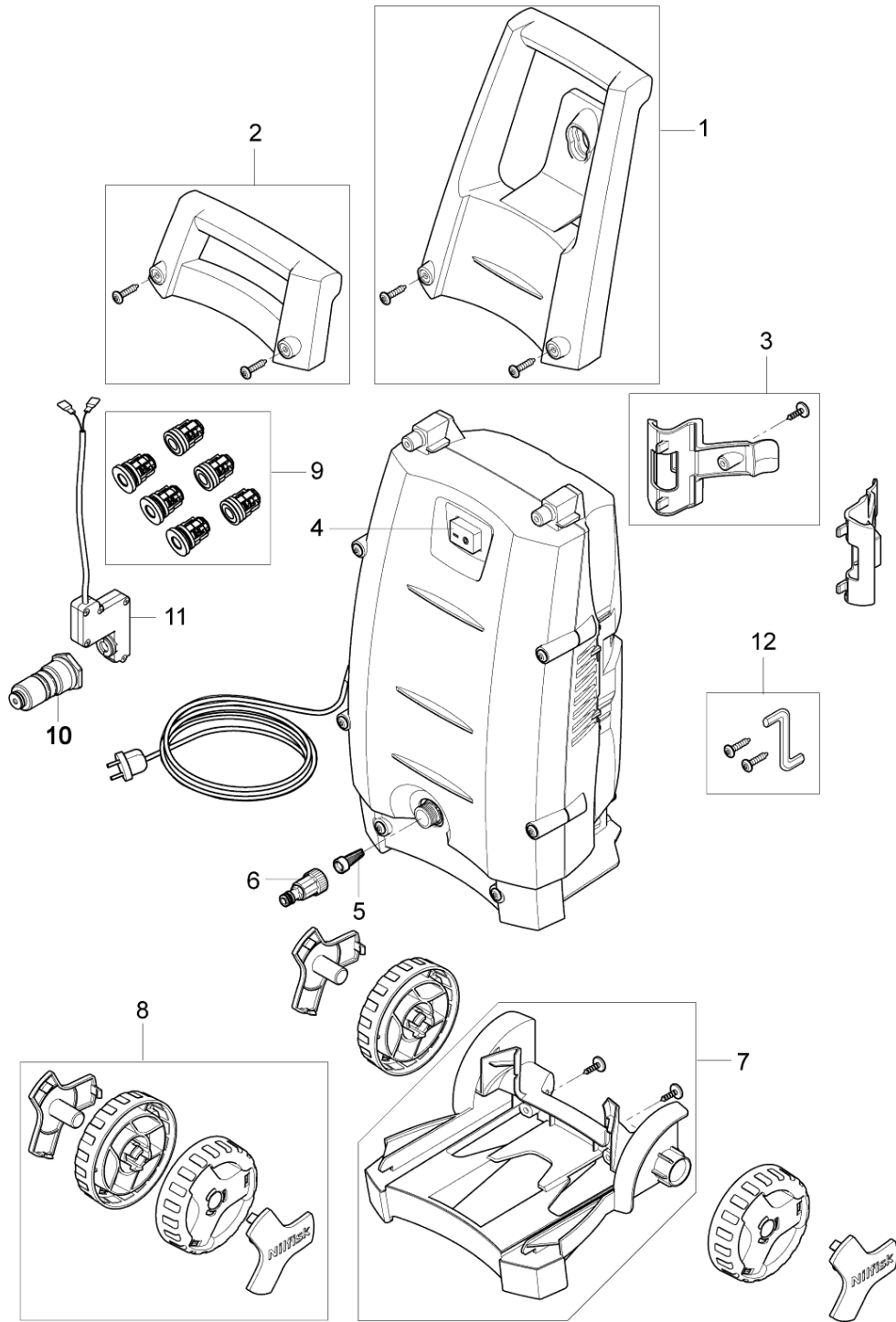
# PARTS LIST



# TABLE OF CONTENTS

---

Overview .....1  
Default accessories .....3



No.	Part No.	Qty.	Description	Part Note
01	128307062	1	C110.3 HANDLE W. 2 SCREWS	[1]
02	128307061	1	C100.5 HANDLE W. 2 SCREWS	[2]
03	128307060	1	ACCESSORY HOOK W. 1 SCREW	
04	126486831	1	SWITCH CPL.	
05	6481094	1	STRAINER	
06	1402809	1	QUICK COUPLING MALE W. INTERNAL THREAD	
07	128307063	1	WHEEL BRACKET W. 2 SCREWS	
08	128307064	1	WHEELKIT CPL. 2 PCS NILFISK	
09	31000866	1	REP. KIT VALVE SYSTEM	
10	127410240	1	START/STOP VALVE COMPLETE	
11	128500013	1	MICRO SWITCH	
12	128500322	1	SCREW AND ALLEN KEY FOR HANDLE	

Part Notes:

- [1] - C110.3
- [2] - C100.5



No.	Part No.	Qty.	Description	Part Note
00	128500070	1	G2 SPRAY HANDLE	[1]
00	128500073	1	G2 C&C SPRAY LANCE	[1]
1	126481122	1	TORNADO G2 TURQUOISE	[2]
1	128339844	1	HOSE PU 6 METER	
1	126481123	1	POWERSPEED G2 LIGHT GREEN	
1	126481114	1	NOZZLE C&C TORNADO G2 YELLOW	[3]
1	126481137	1	HOSE 5M	
1	126481138	1	HOSE 6M	
2	128500077	1	C&C FOAMSPRAYER WITH BOTTLE	
2	6520844	1	CLEANING TOOL BLACK	
3	6410762	1	ROTARY BRUSH	[4]
3	128500700	1	NILFISK COMPACT PATIO ACC	[5]
3	126411376	1	PATIO CLEANER PLUS ACC	[6]
3	126411795	1	LONG FIXED BRUSH	[7]
3	126411395	1	ROTARY BRUSH	[8]
3	6410766	1	DRAIN AND TUBE CLEANER ALTO	[9]

Part Notes:

- [1] - Spray handle, hoses and nozzles G2 - C100 - C110 - and X-TRA
- [2] - C 115.3
- [3] - C 110.3- X-TRA
- [4] - Rotary brush 1
- [5] - PATIO CLEANER COMPACT (2015)
- [6] - PATIO CLEANER PLUS
- [7] - Fixxed Brush
- [8] - Rotary brush 2
- [9] - Drain and tube cleaner

