

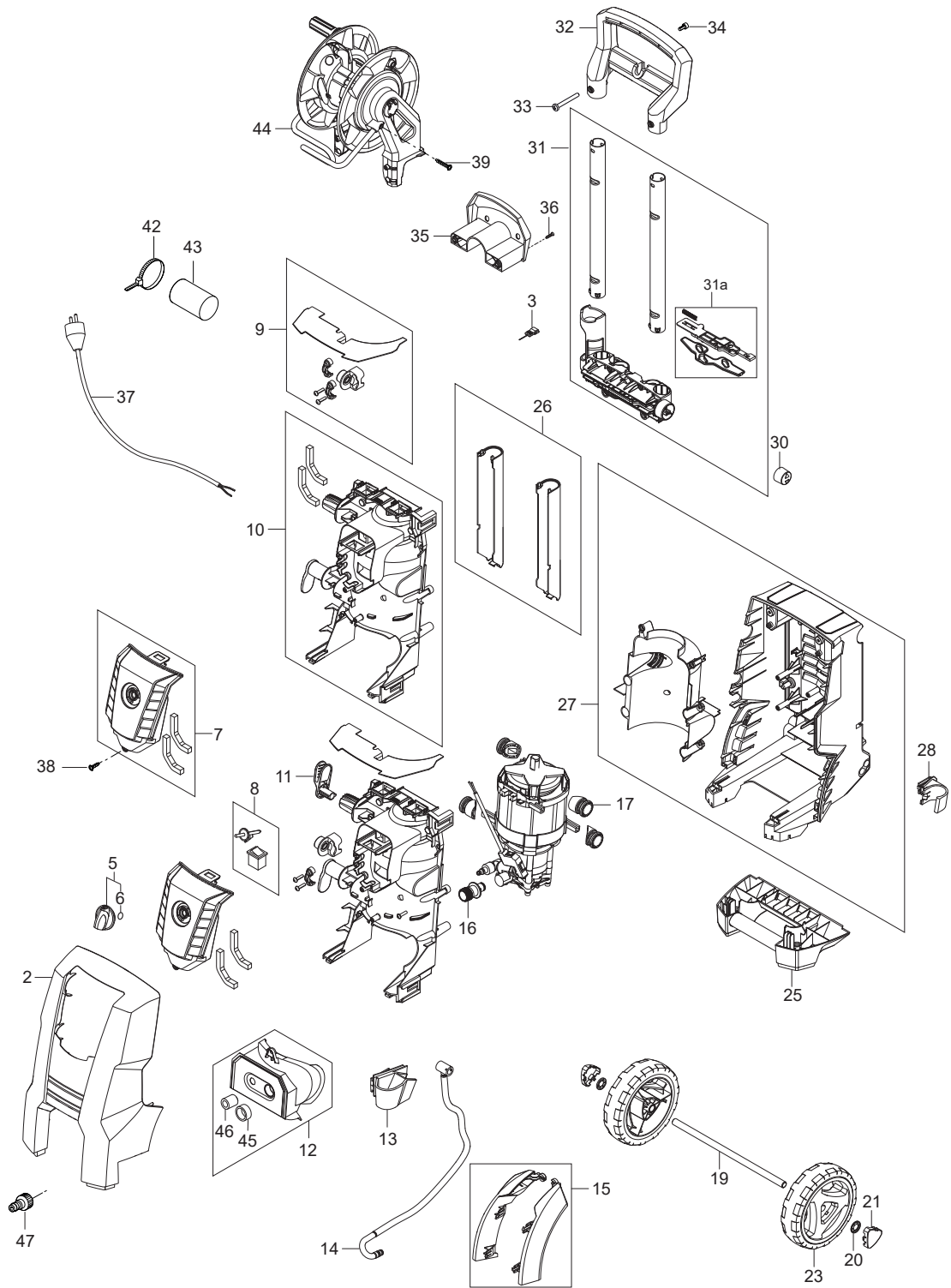
# PARTS LIST



# TABLE OF CONTENTS

---

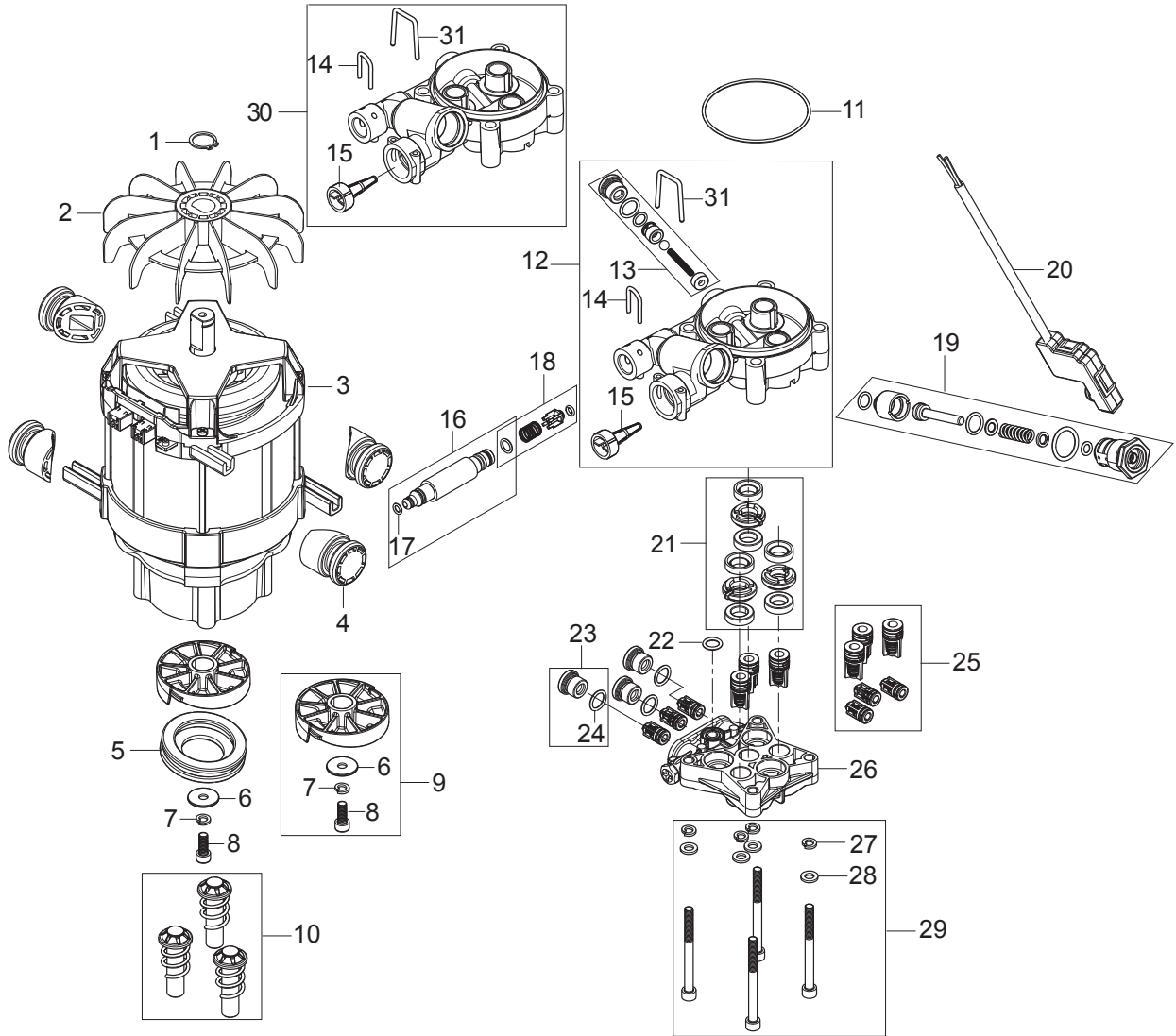
Overview .....	1
Motor pump .....	4
Hose reel .....	6
Accessories_E145_3 .....	8
128500461, 6410766 - Drain and tube cleaner .....	10



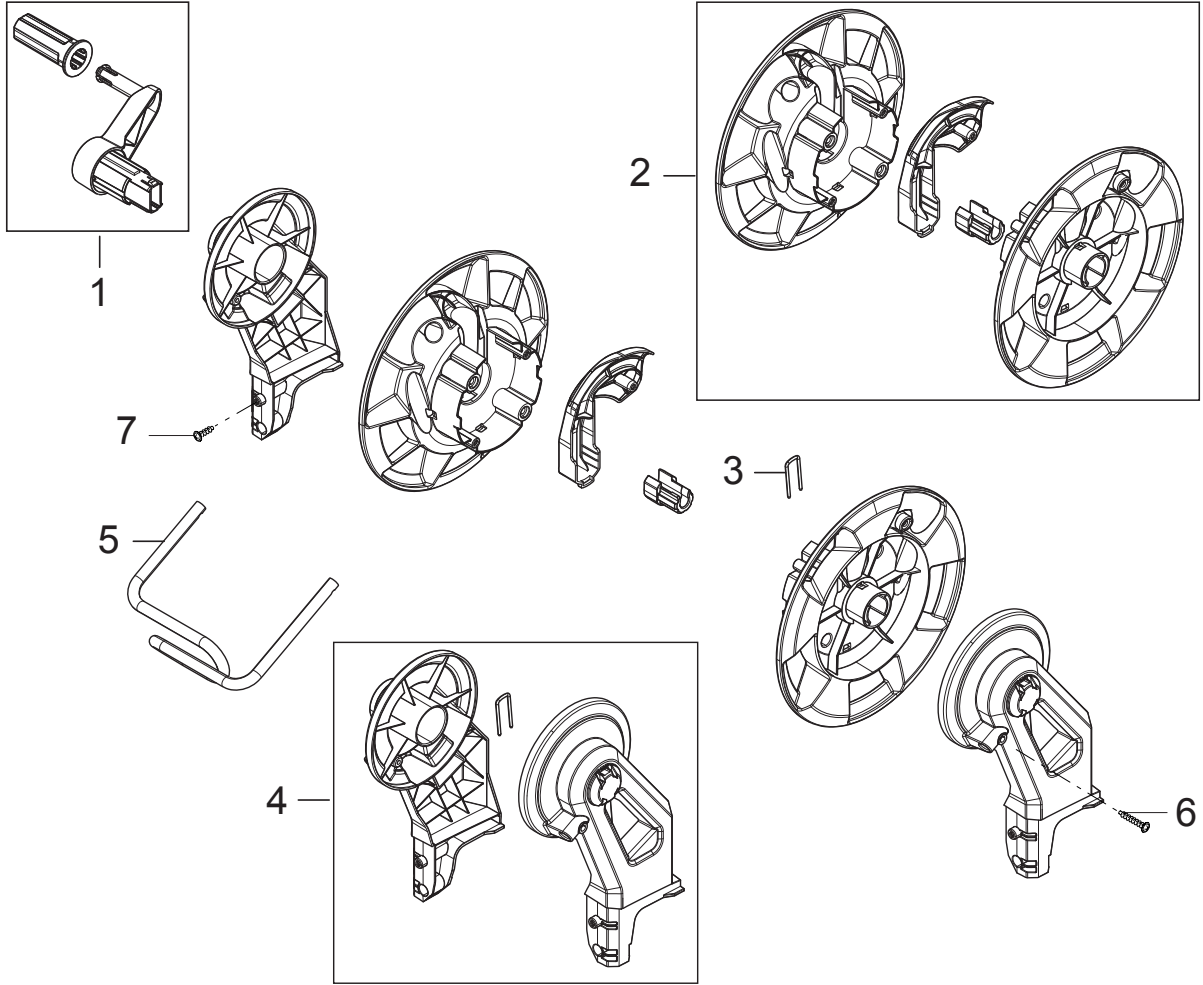
No.	Part No.	Qty.	Description	Part Note
2	128500544	1	FRONT CABINET W. PRINT E130.3	
2	128500545	1	FRONT CABINET W. PRINT E140.3	
2	128500546	1	FRONT CABINET W. PRINT E145.3	
3	6520844	1	CLEANING TOOL BLACK	
5	128500547	1	SWITCH KNOB BLUE	
6	9868	1	O-RING 10.2X2.5 NBR 70	
7	128500928	1	SWITCH BOX	[1]
8	128500507	1	SWITCH ON/OFF WITH SHAFT	
9	128500508	1	CABLE RELIEF KIT	
10	128500927	1	FRONT STRUCTURAL WITH GASKET	[2]
11	128500549	1	ROTARY CABLE HOOK BLUE	
12	128500550	1	IN/OUTLET COVER KIT BLACK STD	[3]
12	128500551	1	IN/OUTLET COVER KIT BLACK XTRA	[4]
13	128500512	1	LANCE HOLDER	
14	128500513	1	INTERNAL HOSE XTRA	
15	128500514	1	WHEEL MUDGUARD	
16	128500515	1	WATER INLET NA01	
17	128500604	1	VIBRATION DAMPER	
19	128500517	1	WHEEL AXLE	
20	127440210	1	LOCK WASHER	
21	128500552	1	WHEEL CAP	
23	128500553	1	WHEEL	
25	128500520	1	FRONT FOOT HIGH	
26	128500521	1	TUBE GUIDES	
27	128500522	1	MPU BACK COVER AND CHASSIS	
28	128500523	1	LANCE HOLDER TOP	
30	128500554	1	HANDLE LOCK BUTTON BLUE	
31	128500931	1	HANDLE TUBE AND ACC STORAGE	
32	128500527	1	HANDLE	
33	128500528	1	NUT FOR HANDLE LOCK	
34	128500529	1	SCREW M4X8 ISO7045 A2-50-H PH	
35	128500530	1	HOSE HOOK	
36	1814732	2	SCREW K50X18	
37	128500532	1	POWER CABLE EU	
37	128500533	1	POWER CABLE UK	
37	128500535	1	POWER CABLE AUS/NZ	
38	107141838	33	SCREW K50X18 WN1451 BLACK TORX20	
39	128500595	2	SCREW K50X35 WN1452 BLACK TORX	
42	1814741	1	CABLE TIE	
43	128500636	1	CAPACITOR 25UF	
44		1	Hose reel complete	[5]
45	128500578	1	INLET GASKET	
46	128500579	1	OUTLET GASKET	
47	106404529	1	GARDENA COMPATIBLE MALE 3/4" ACCESSORY	
NS	128500560	1	10PCS 4C BOX TO NILFISK E130.3	
NS	128500561	1	10PCS 4C BOX TO NILFISK E140.3	
NS	128500245	1	10PCS 4C BOX E145.3 XTRA	
NS	128500762	1	10 PCS 4C BOX DP E130.3 E140.3	
NS	128500764	1	10 PCS 4C BOX P E130.3	
NS	128500765	1	10 PCS 4C BOX PA E130.3 E140.3	
NS	128500767	1	10 PCS 4C BOX PAD E130.3	
NS	128500768	1	10PCS 4C BOX PAW E130.3 E140.3	
NS	128500774	1	10PCS 4CBOX PCAR E130.3 E140.3	
NS	128500778	1	10PCS 4C BOX PI E130.3 E140.3	
NS	128500782	1	10PCS 4C BOX PAD PLUS E130.3	

## Part Notes:

- [1] - If produced before serial number 21136572 (week 50, 2015) then pls. read TSB  
TSB-CON-HPW-2016-001-Excellent - Motor cover and Switch box cover update  
DE TSB-CON-HPW-2016-001 Excellent Änderung an Motorabdeckung und Schalte...
- [2] - If produced before serial number 21136572 (week 50, 2015) then pls. read TSB  
TSB-CON-HPW-2016-001-Excellent - Motor cover and Switch box cover update  
DE TSB-CON-HPW-2016-001 Excellent Änderung an Motorabdeckung und Schalte...
- [3] - black STD
- [4] - black XTRA
- [5] - See Hose reel



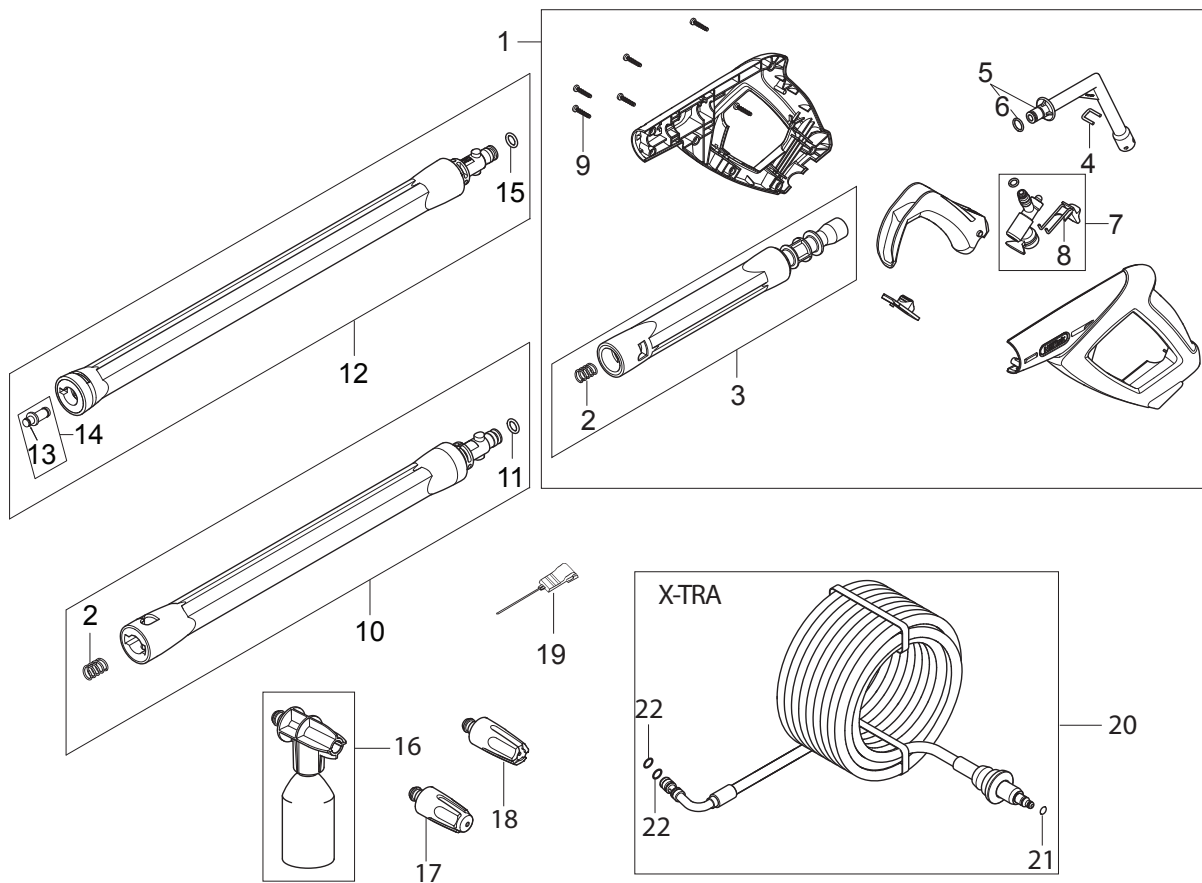
No.	Part No.	Qty.	Description	Part Note
1	127500051	1	LOCK RING	
2	127500040	1	NEW FAN	
3	128500601	1	MOTOR 230V/50HZ 2.1KW	
4	128500604	4	VIBRATION DAMPER	
5	128500605	1	THRUST BALL BEARING	
6	127130066	1	WASHER D22XD6.4X1.5	
7	127500050	1	SPRING WASHER	
8	128500608	1	SCREW M6X16 10.9 FZB ISO4762	
9	128500615	1	WOBBLE DISC KIT 10.7 DEG	
10	128500616	1	PISTON COMPLETE KIT 3PCS	
11	127440078	1	O-RING 72X2 SH90	
12	128500618	1	CYLINDERBLOCK KIT W.EASY START	
13	128500619	1	EASY START KIT	
14	128500620	1	U-PIN OUTLET	
15	128500195	1	INLET FILTER MESH SP	
16	128500622	1	OUTLET INSERT QUICK COUPLING	
17	3004304	1	O-RING 5.1X1.6 VITON SH 90	
18	128500624	1	NON RETURN VALVE COMPLETE	
19	128500626	1	START/STOP VALVE D3.05	
20	128500628	1	MICROSWITCH BOX COMPLETE	
21	127440081	1	THRUST COLLAR WATER KIT	
22	128500630	1	O-RING 10.0X2.2 NBR 90	
23	128500851	3	PRESSURE VALVE PLUG KIT	
24	127440085	3	O-RING 11.7X2.0 SH90	
25	128500855	1	INLET OUTLET VALVE 6PCS	
26	128500633	1	CYLINDE HEAD R CYLINDER HEAD	
27	127500029	4	WASHER	
28	127500050	4	SPRING WASHER	
29	127500071	1	SCREW M6X70 DIN 912 4PCS	
30	128500634	1	CYLINDERBLOCK KIT	
31	128500675	1	U-PIN INLET	





---

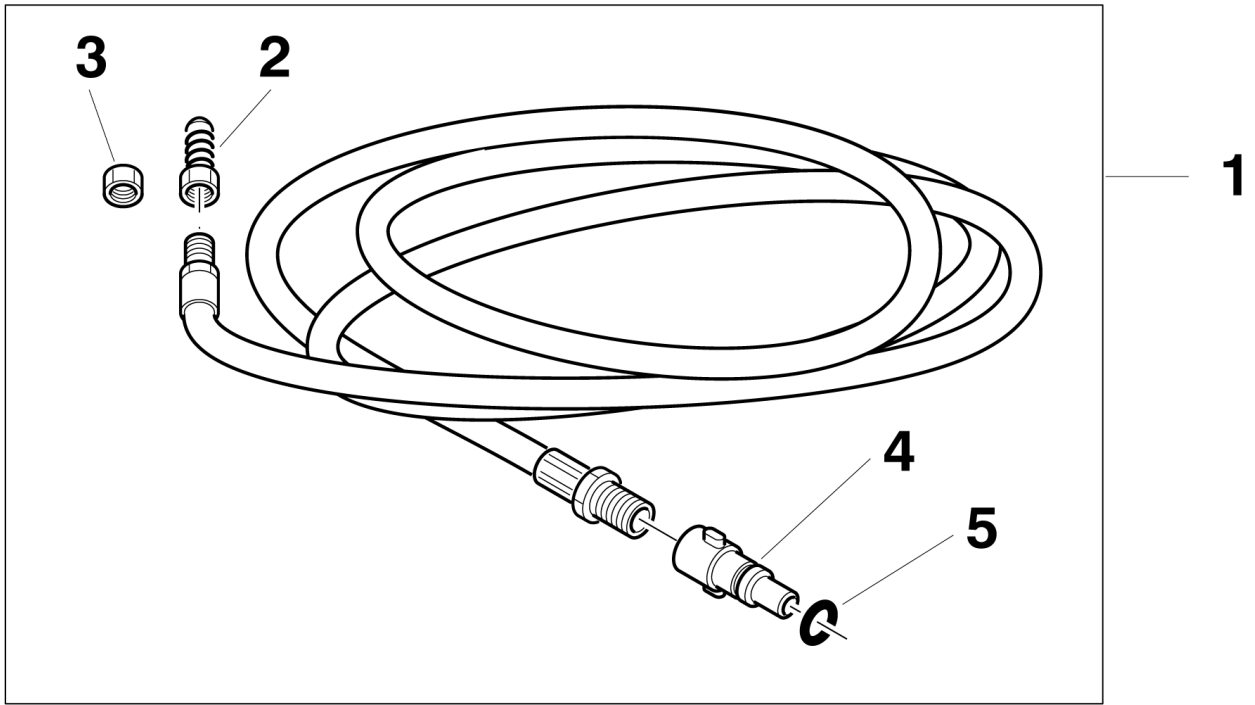
No.	Part No.	Qty.	Description	Part Note
0	128500531	1	HOSE REEL COMPLETE	
1	128500590	1	HANDLE COMPLETE F.HOSE REEL	
2	128500591	1	KIT FOR HOSE REEL	
3	128500592	1	LOCK KIT	
4	128500593	1	HOSE REEL BRACKET KIT	
5	128500594	1	HOSE GUIDE BRACKET	
6	128500595	2	SCREW K50X35 WN1452 BLACK TORX	
7	107141838	2	SCREW K50X18 WN1451 BLACK TORX20	



No.	Part No.	Qty.	Description	Part Note
1	128500072	1	G5 SPRAY HANDLE	
2	2602500	1	SPRING F.INTERMEDIATE TUBE	
3	127440051	1	INTERMEDIATE TUBE G5	
4	6525232	1	LOCK BRACKET	
5	126481103	1	PRESSURE TUBE W. O-RING	
6	301003043	1	O-RING Ø 10.82X1.78	
7	127440049	1	VALVE HOUSE COMPLETE BLUE	
8	127440052	1	SPRING BUTTOM TUBE	
9	101814698	8	SCREW 3X16	
10	128500075	1	G5 SPRAY LANCE	
11	3004279	1	O-RING 9.3X2.4 NITRIL 90 SH	
12	128500074	1	G4 C&C SPRAY LANCE LONG VER.	
13	3004312	1	O-RING 7X1.2 NITRIL 90 SHORE	
14	126481109	1	LOW PRESSURE NOZZLE W.O-RINGS	
15	126481125	1	O-RING 9.0X2.6 SH90 NBR	
16	128500077	1	C&C FOAMSPRAYER WITH BOTTLE	
17	128500033	1	C&C POWER SPEED TURQUOISE	
18	128500657	1	PR TORNADO RED2 LINES CLICK	[1]
19	6520844	1	CLEANING TOOL BLACK	
20	128500656	1	HOSE STEEL ARMED 10M FOR MODEL	[1]
21	3004304	1	O-RING 5.1X1.6 VITON SH 90	
22	3004321	2	O-RING 10X2 ULTRATHIN	

## Part Notes:

[1] - E145.3



---

No.	Part No.	Qty.	Description	Part Note
1	128500461	1	DRAIN AND TUBE 8M	[1]
1	6410766	1	DRAIN AND TUBE CLEANER ALTO	[2]
2	6410790	1	SPRING F. TUBE CLEANER	
3	6410696	1	UNION NUT F. TUBE CLEANER	
4	6120486	1	NIPPLE FOR BAYONET CLUTCH	
5	3001211	1	O-RING 9.6X2.4 NITRIL 70SH	
5	6411218	1	BAG WITH 10 O-RINGS 3001211	

## Part Notes:

- [1] - 8M  
[2] - 15M DT

